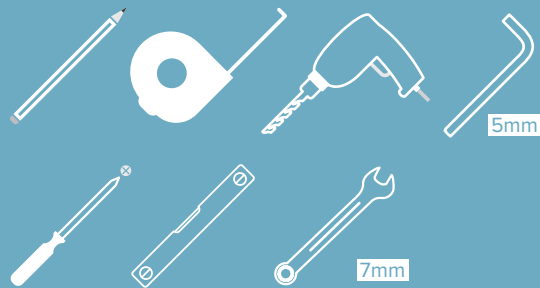


HOW TO FIT SOFT CLOSE FOR PREMIUM MINI & DELUXE SHAKER DOORS

(Excludes the room divider door)

Assembly Instructions

TOOLS REQUIRED:



! Please check your opening for any hidden electrical wires and water pipes before / screwing.



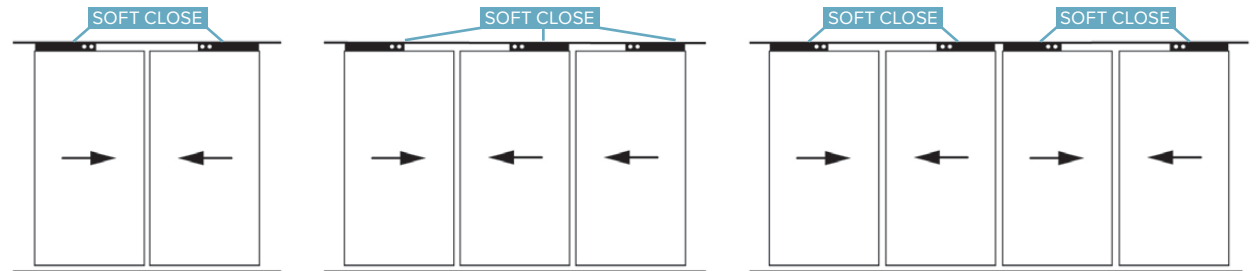
⊘ Screws not supplied. Use suitable screws and plugs.

spaceslide
we make room

V1

DOOR AND SOFT CLOSE POSITIONING GUIDE

X2 soft close units comes with every door. This will allow the doors to close effortlessly as well as open effortlessly.

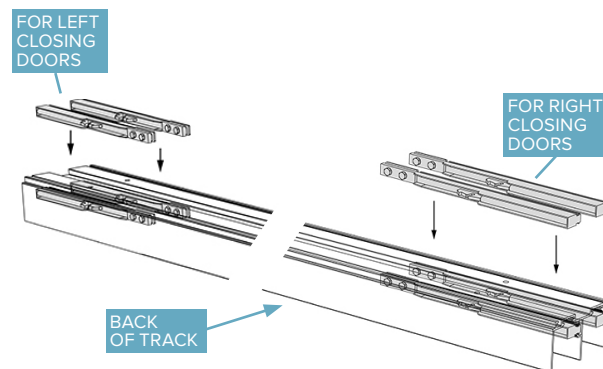


PLAN VIEW – Circles represent the amount of the soft close units as well as the positioning.

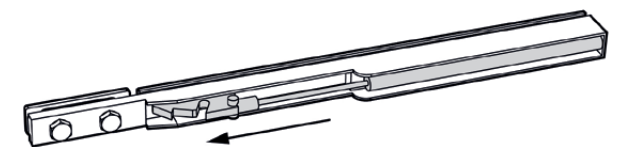


*Note: For 3 & 5 door openings. Only fit one soft close unit per door in the back channel.

2 DOOR EXAMPLE



Soft close positioning example.



1 Prime all the soft close units before attaching to the top track.
Note: Doors close away from the bolts.

