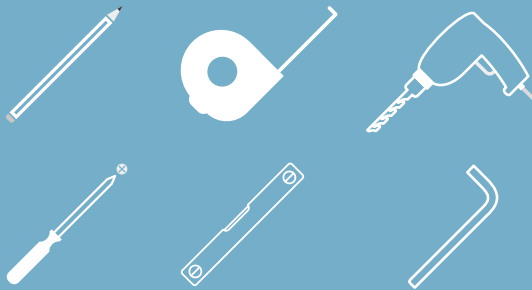


# HOW TO FIT SLIDING DOORS

## Assembly Instructions

TOOLS REQUIRED:



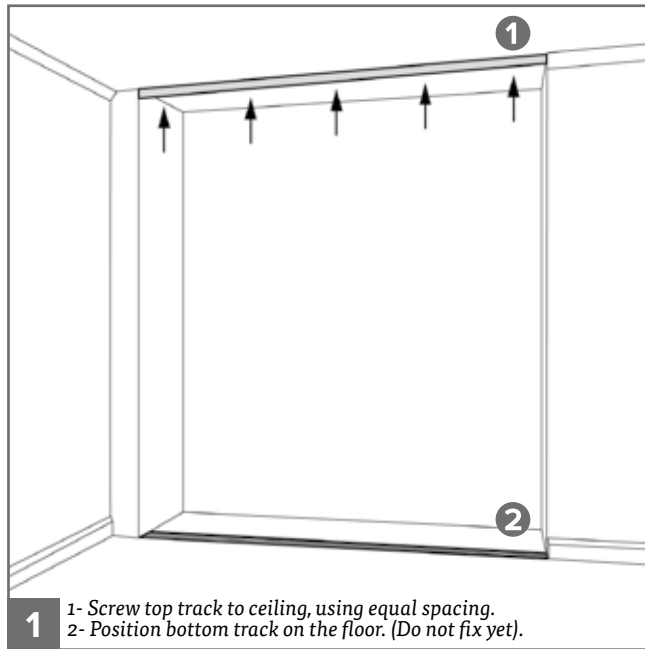
Please check your opening for any hidden electrical wires and water pipes before / screwing.



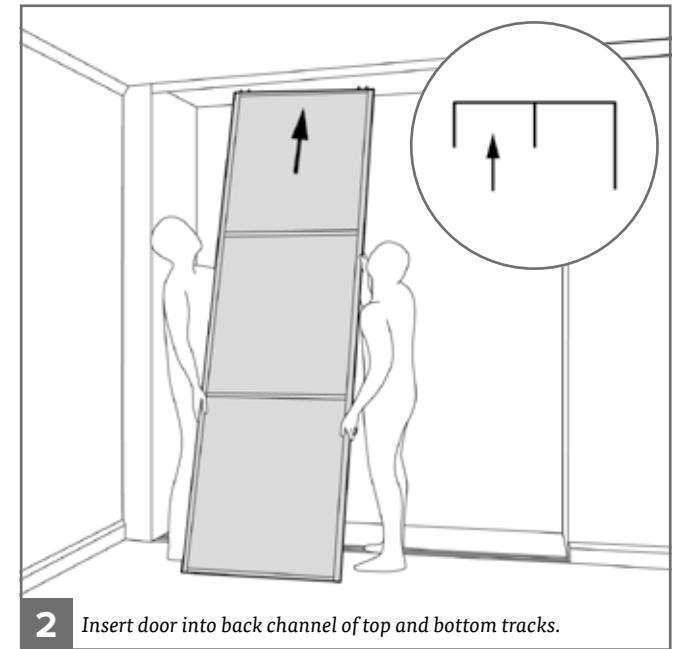
Screws not supplied. Use suitable screws and plugs.

spaceslide®  
we make room

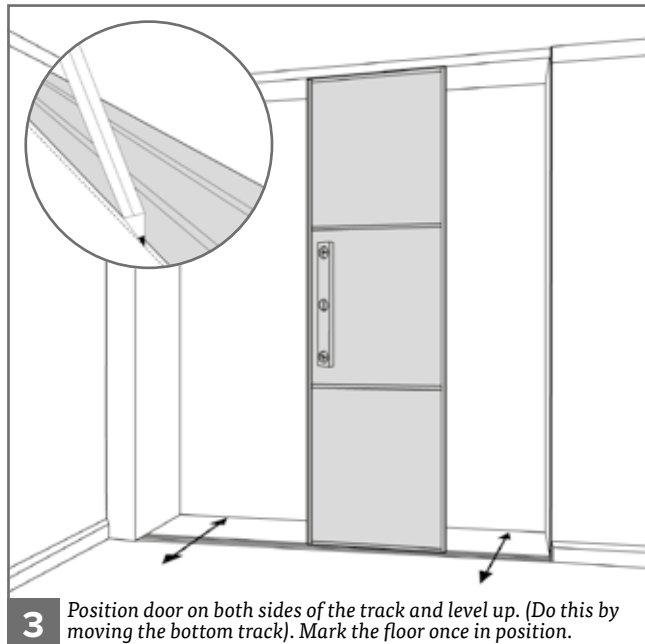
V2



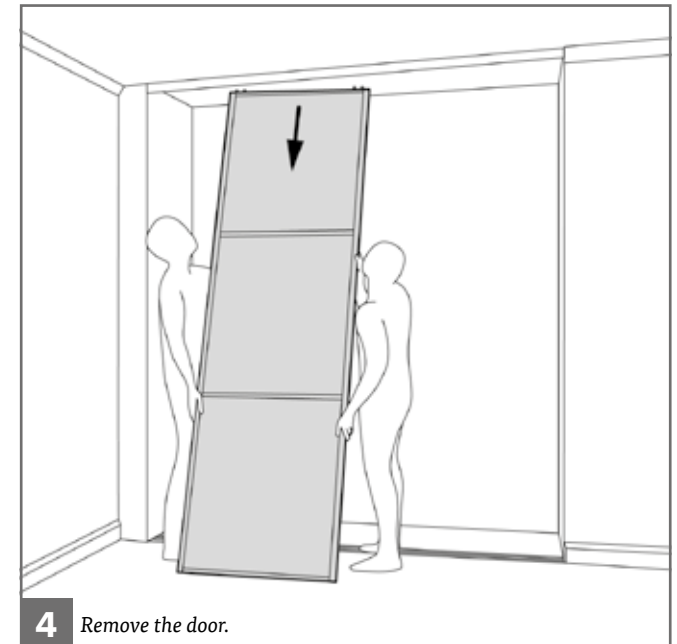
- 1** 1- Screw top track to ceiling, using equal spacing.  
2- Position bottom track on the floor. (Do not fix yet).



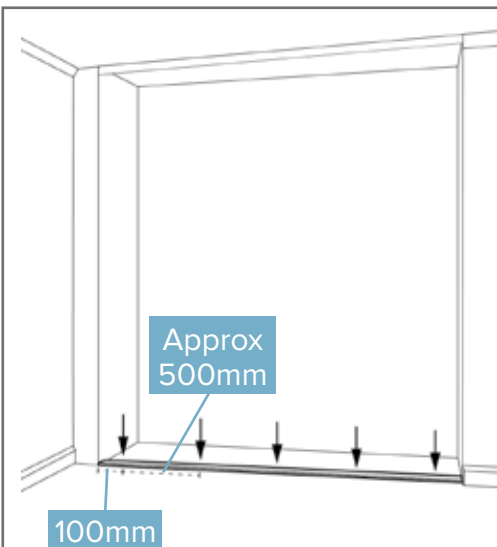
- 2** Insert door into back channel of top and bottom tracks.



- 3** Position door on both sides of the track and level up. (Do this by moving the bottom track). Mark the floor once in position.

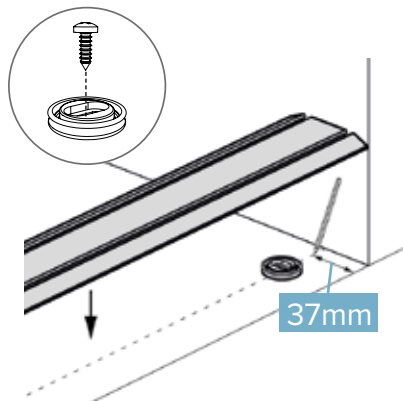


- 4** Remove the door.



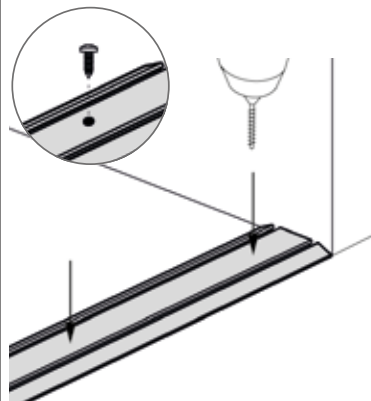
**5** For all track types, measure in 100mm from wall and then space out evenly across the length of the track (approx 500mm).

FOR PREMIUM MINI & DELUXE SHAKER DOORS

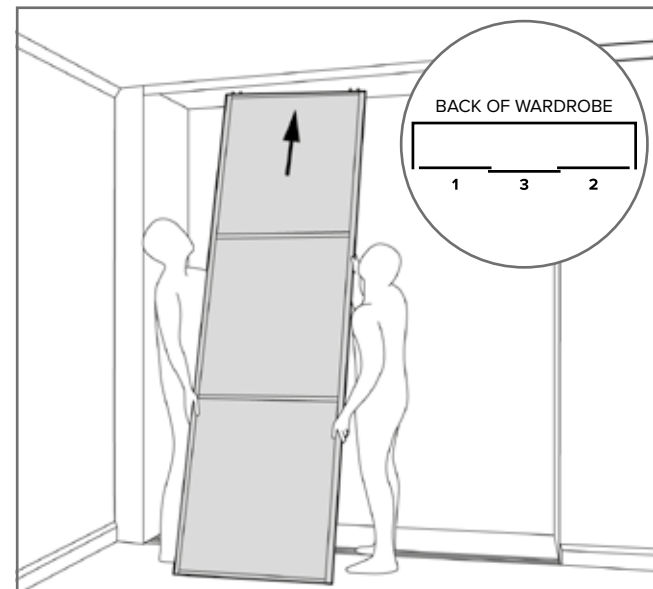


Measure in 37mm from your line and mark another line for the placement of your track fixing disks. Fix by screwing into the floor using suitable fixings.

FOR CLASSIC, PREMIUM MIDI & ROOM DIVIDER DOORS

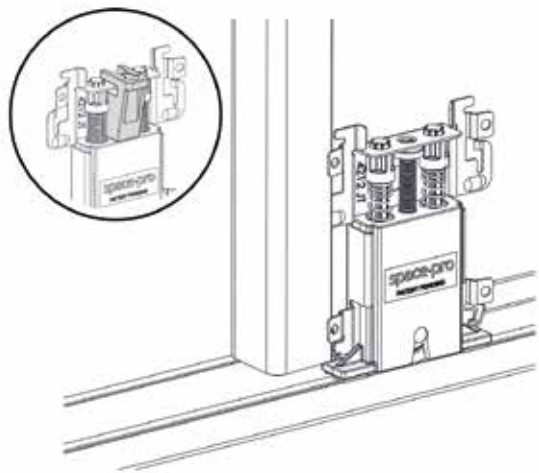


After marking where the drill holes will be, drill through the track into the floor. Fix by screwing into the floor using suitable fixings.  
(You can also use double sided tape to secure bottom track if preferred).



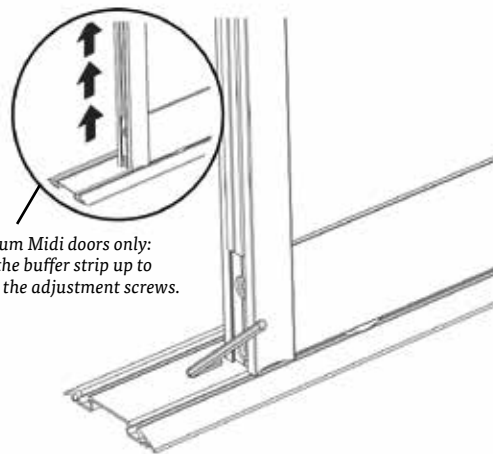
**6** Re-insert door. Make sure to fit the back doors first.

FOR CLASSIC DOORS



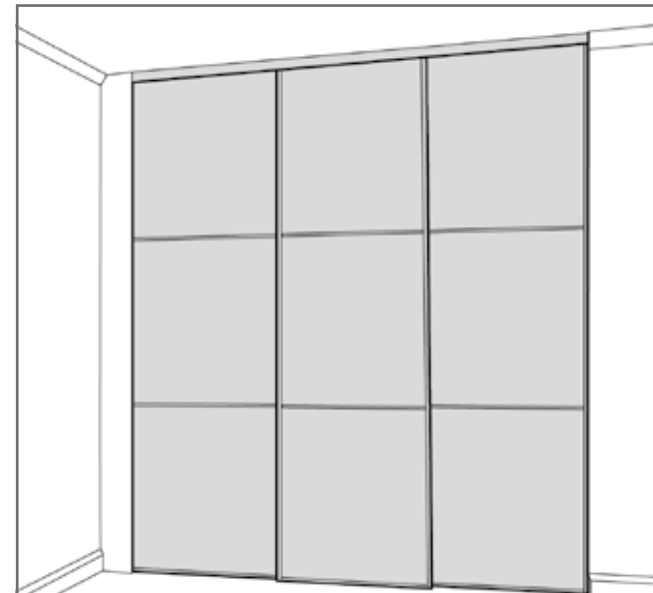
**7** Once the doors are inserted into the track, if required remove the yellow transportation lock to engage the anti jump system.

FOR PREMIUM MIDI, PREMIUM MINI, DELUXE SHAKER & ROOM DIVIDER DOORS



Premium Midi doors only: Slide the buffer strip up to reveal the adjustment screws.

Adjust the bottom wheels using a 4mm allen key, altering the height and angle of each door. Note: Adjust the bolt closest to the floor.



**8** Repeat steps 6 & 7 on all doors.