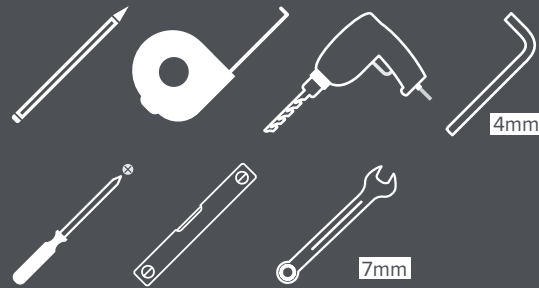


HOW TO FIT SIGNATURE DOORS AND SOFT CLOSE

Assembly Instructions

TOOLS REQUIRED



! Please check your opening for any hidden electrical wires and water pipes before / screwing.



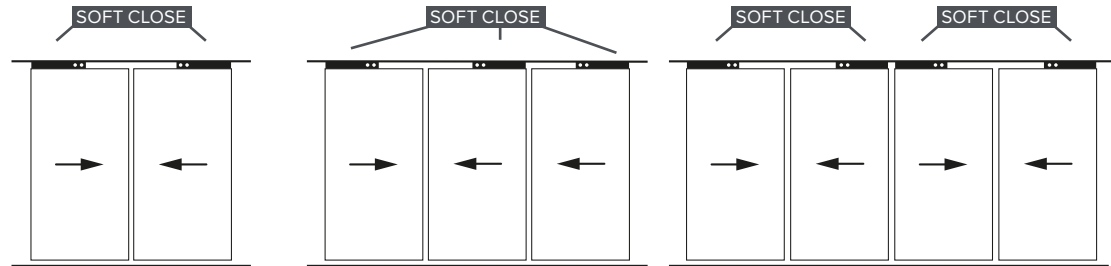
⊘ Screws not supplied. Use suitable screws and plugs.

SIGNATURE
BY SPACESLIDE

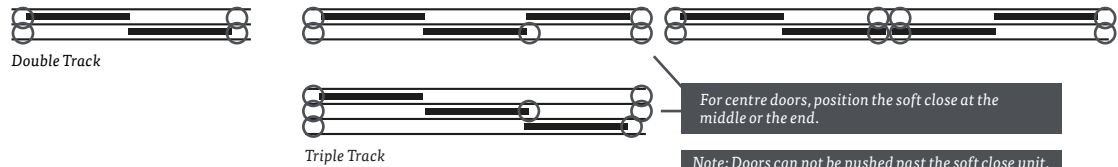
V1

DOOR AND SOFT CLOSE POSITIONING GUIDE

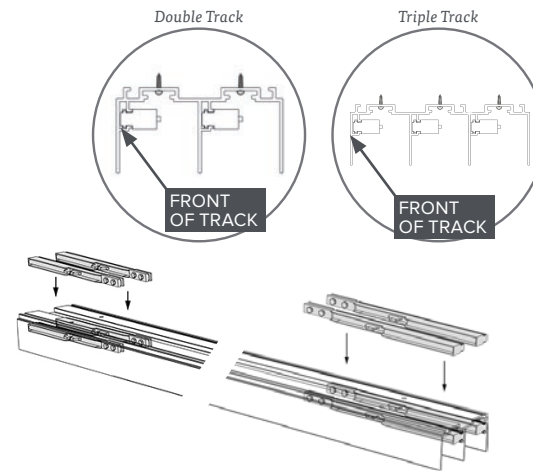
X2 soft close units comes with every door. This will allow the doors to close effortlessly as well as open effortlessly.



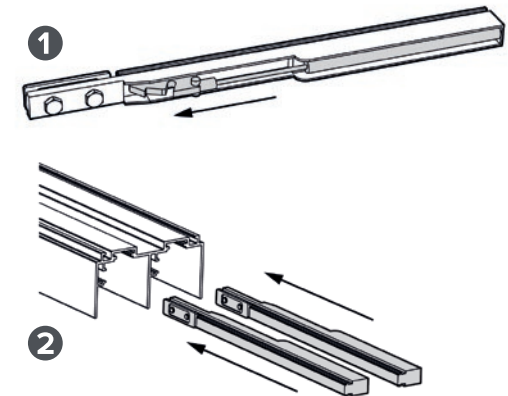
PLAN VIEW – Circles represent the amount of the soft close units as well as the positioning.



2 DOOR EXAMPLE



Soft close positioning example.
Soft close(s) need to be positioned towards the front of the track.



1 Prime all the soft close units before attaching to the top track.
Note: Doors close away from the bolts.
2 Insert soft close units into top tracks, repeat left and right sides.

