

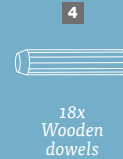
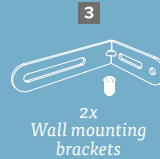
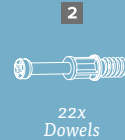
# TOWER UNIT SHELVES ONLY

(450 & 600mm wide)

## Assembly Instructions

### CONTENTS:

- A 1x Top panel
- B 1x Side panel (left)
- C 1x Side panel (right)
- D 5x Shelves
- E 1x Plinth panel

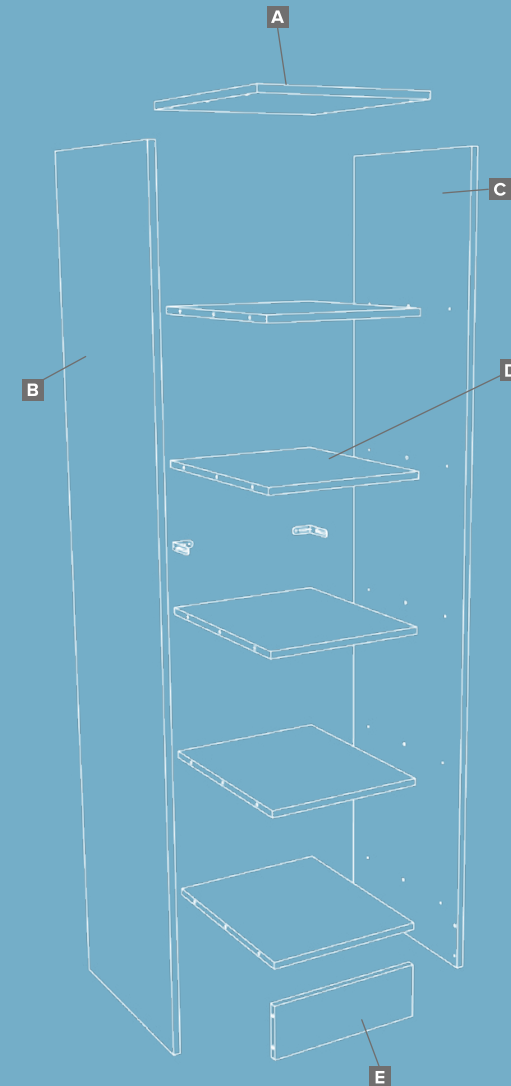


### RECOMMENDED:

- TOOLS: *Screwdriver*
- TWO PERSON BUILD



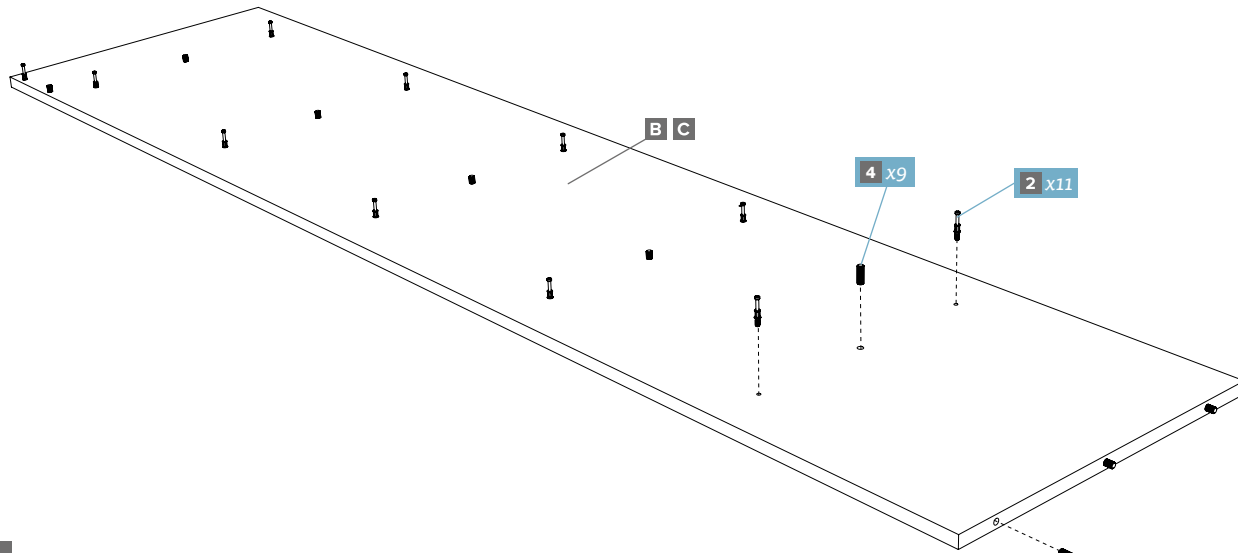
We recommend you use the Wall Mounting Brackets provided to fix the Tower Unit to a wall (where possible). This will prevent the unit being pulled over. Use suitable wall fixings.



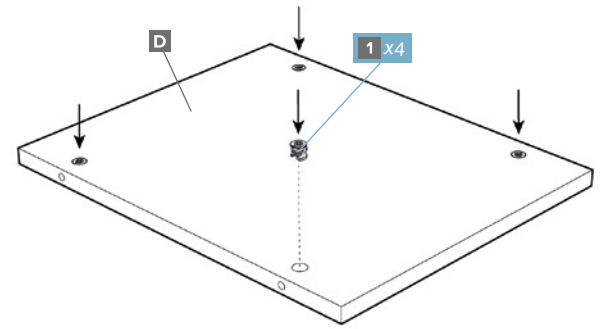
spaceslide®  
we make room

V2.1

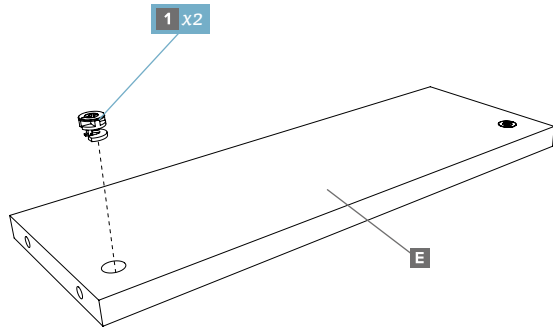
Note: B panel shown



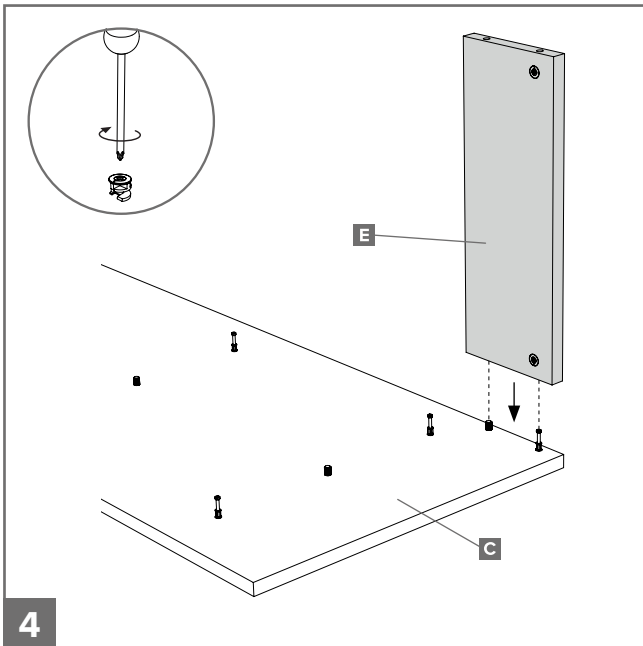
**1** Lay panels (B&C) on a flat surface. Fit cams & dowels to both panels.



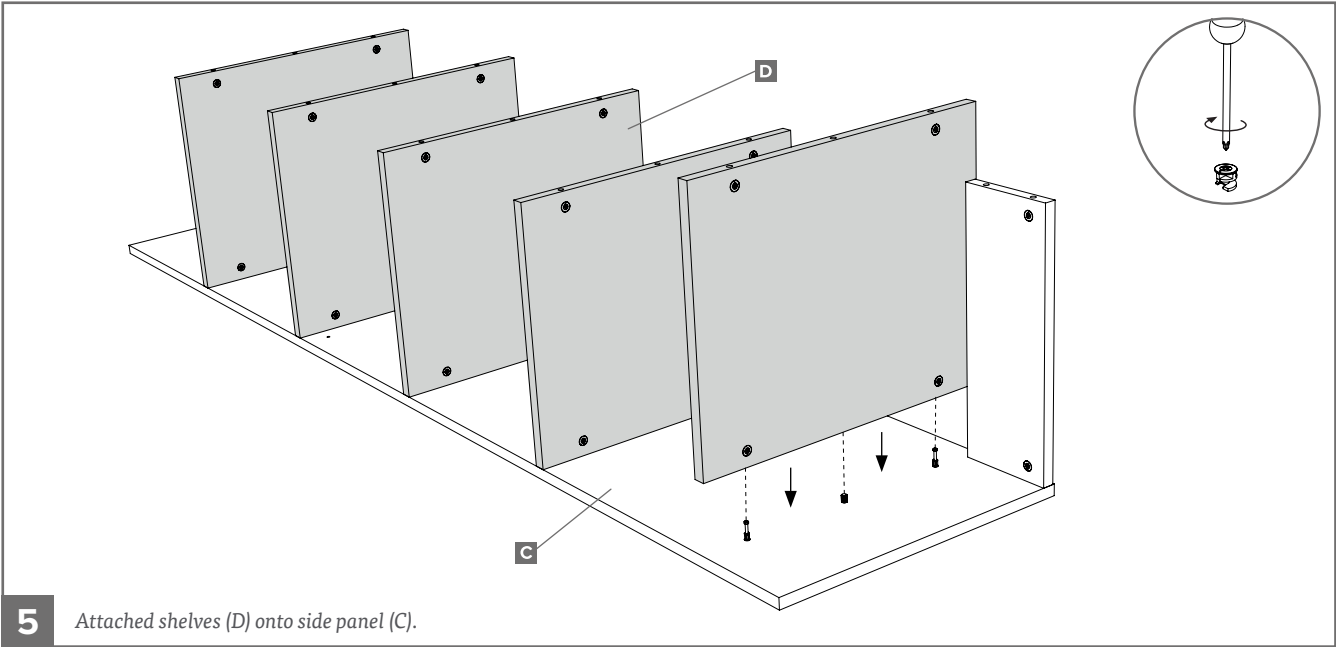
**2** Apply to all shelves.



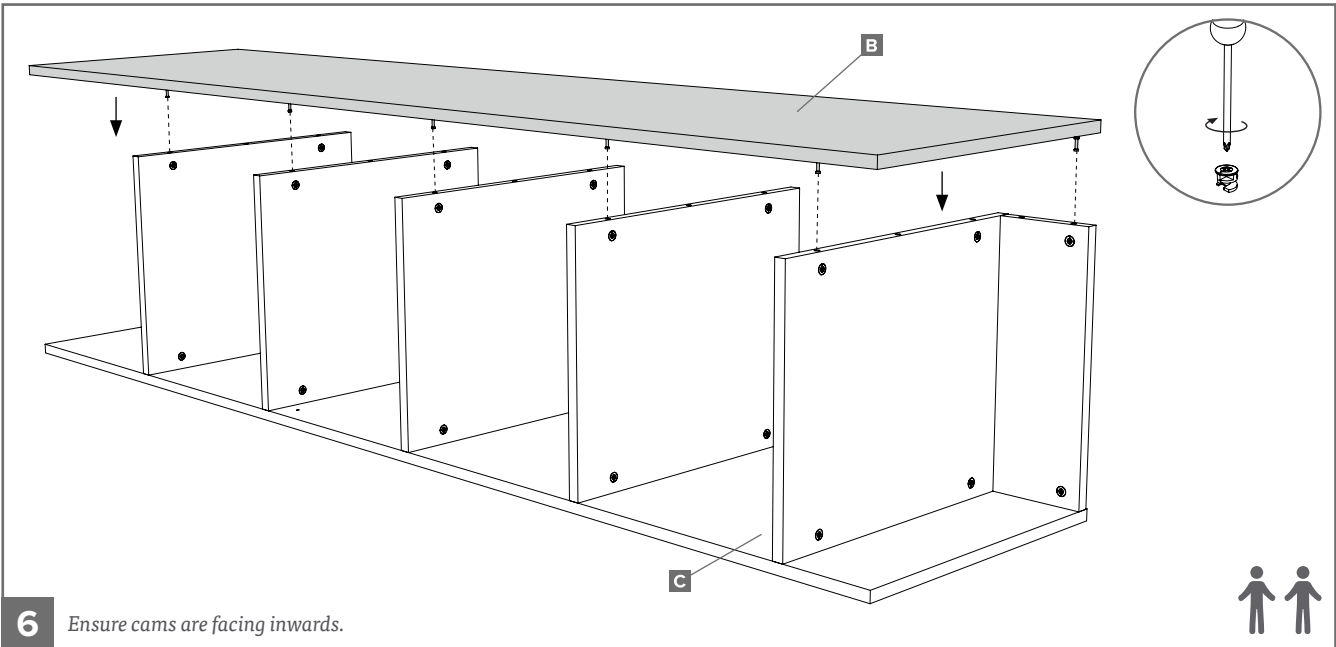
**3**



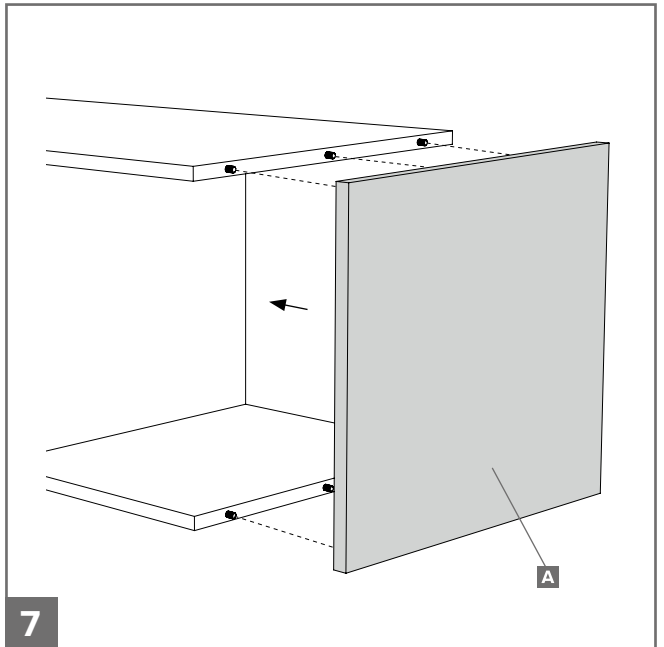
**4**



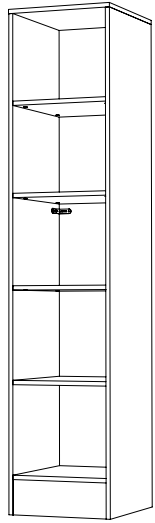
**5** Attached shelves (D) onto side panel (C).



**6** Ensure cams are facing inwards.



**7**

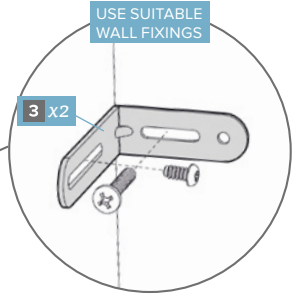
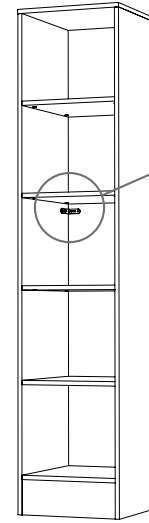


**8** Use two people to stand up straight.



## WALL MOUNTING BRACKETS

*We recommend you use the Wall Mounting Brackets provided to fix the Tower Unit to a wall (where possible). This will prevent the unit being pulled over. Use suitable fixings.*



**9** Fix the wall mounting bracket to both sides of the Tower Unit. (Use suitable fixings when attaching to the wall).