

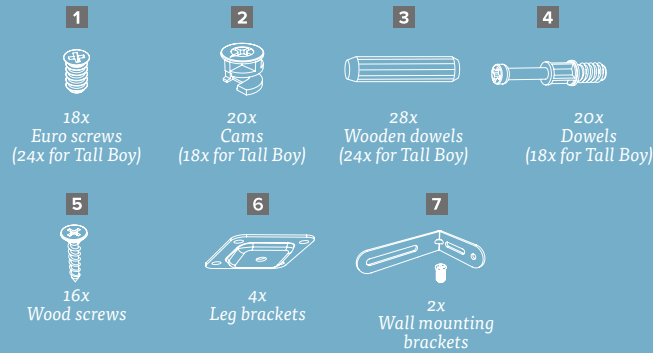
CHEST OF DRAWERS & TALL BOY

Assembly Instructions

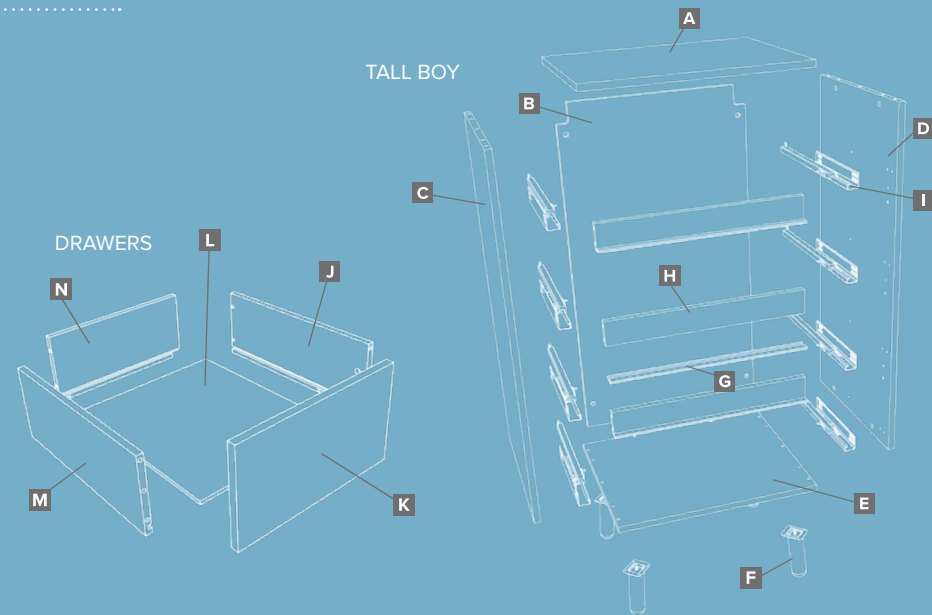
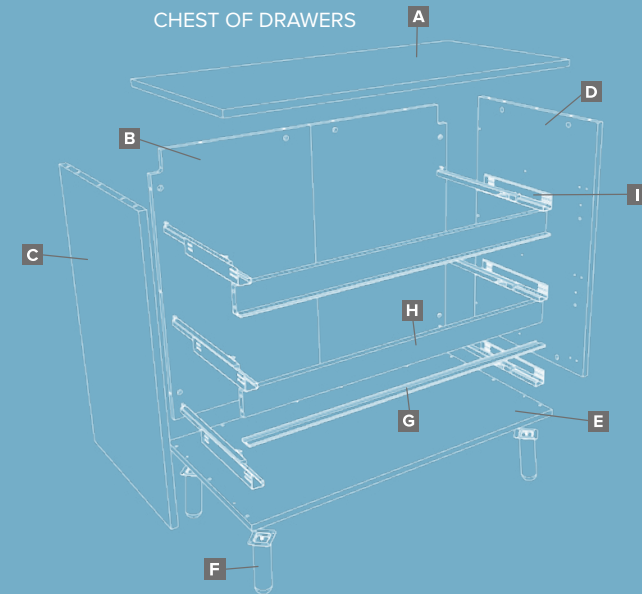
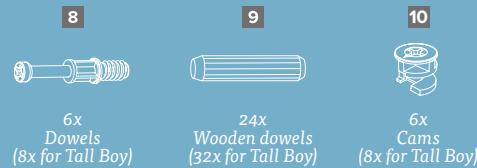
CHEST OF DRAWERS & TALL BOY CONTENTS:

- A 1x Top panel
- B 2x Back panels (1x for Tall Boy)
- C 1x Side panel (left)
- D 1x Side panel (right)
- E 1x Base
- F 4x Legs
- G 2x Metal infill strips (3x for Tall Boy)
- H 2x Drawer infill panels (3x for Tall Boy)
- I 6x Soft close drawer runners (3x left, 3x right (8x for Tall Boy, 4x left, 4x right))
- J 3x Drawer sides (right) (4x for Tall Boy)
- K 3x Drawer fronts (4x for Tall Boy)
- L 3x Drawer bases (4x for Tall Boy)
- M 3x Drawer sides (left) (4x for Tall Boy)
- N 3x Drawer backs (4x for Tall Boy)

CARCASS PACK



DRAWER PACK



RECOMMENDED:

- TOOLS: Screwdriver & Hammer
- TWO PERSON BUILD



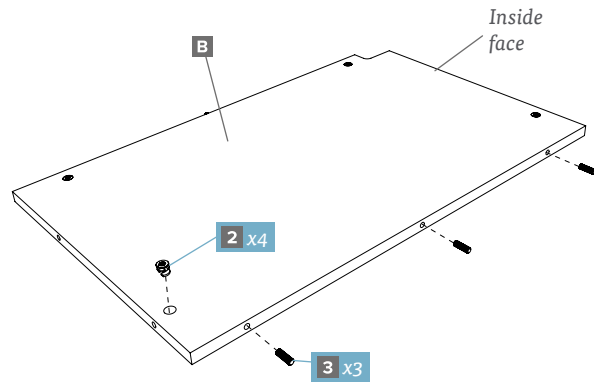
! We recommend you use the Wall Mounting Brackets provided to fix the Chest of Drawers/Tall Boy to a wall (where possible). This will prevent the unit being pulled over. Use suitable fixings for your wall construction.

spaceslide
we make room

V2.1

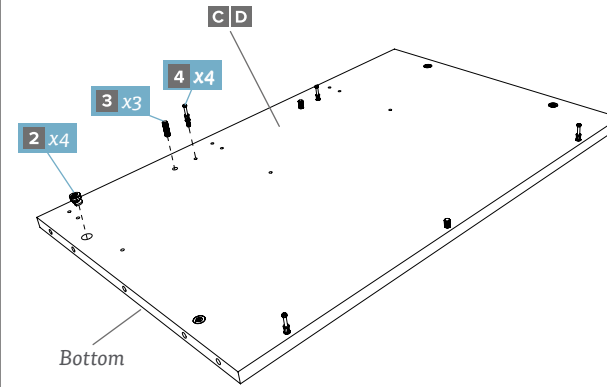
PLEASE NOTE THE CHEST OF DRAWERS AND TALL BOY ARE THE SAME IN CONSTRUCTION. WE HAVE USED THE CHEST OF DRAWERS AS AN EXAMPLE.

Note: The Tall Boy only has one back panel.

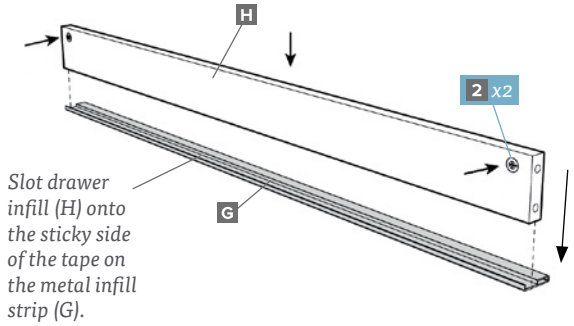


1 Insert fixings into both of the left and right back panels (B).

Note: Left hand panel shown below.

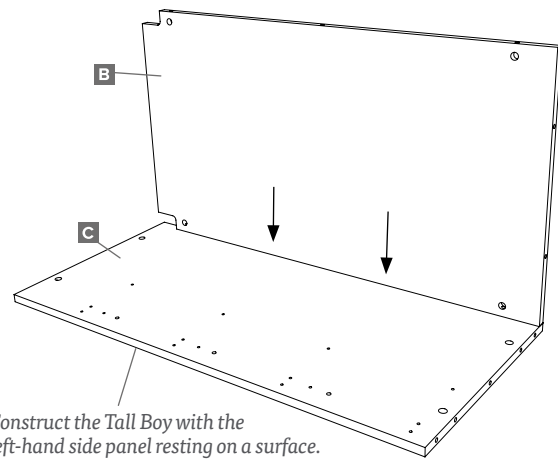


2 Add fixings to both the left and right side panels (C & D).



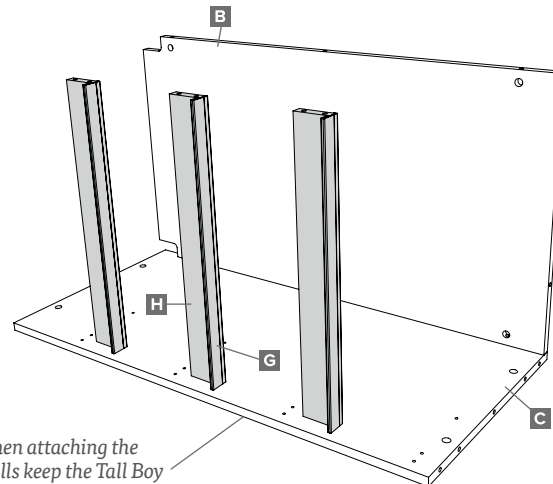
3 1 – Insert the cams. Remove the film from (G) and attach drawer infill panel to the metal infill strip. Repeat for all drawer infills.

STEP 4a FOR TALL BOY ONLY



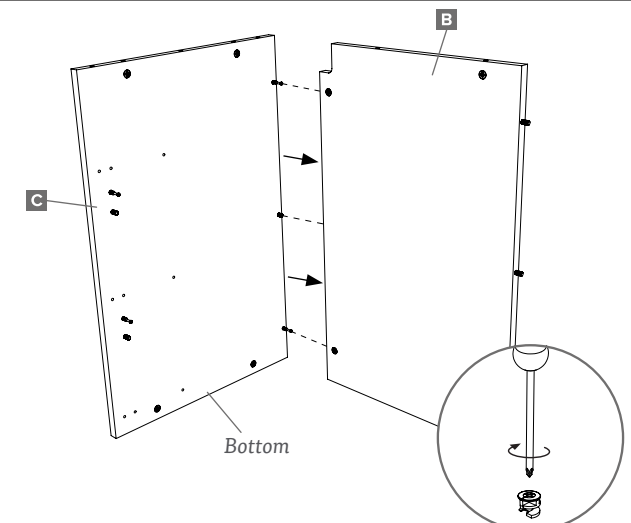
Construct the Tall Boy with the left-hand side panel resting on a surface.

4a



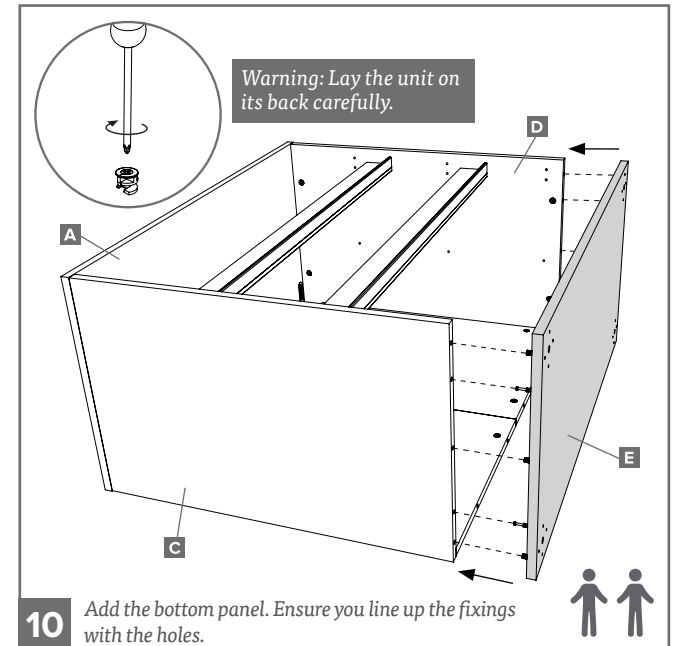
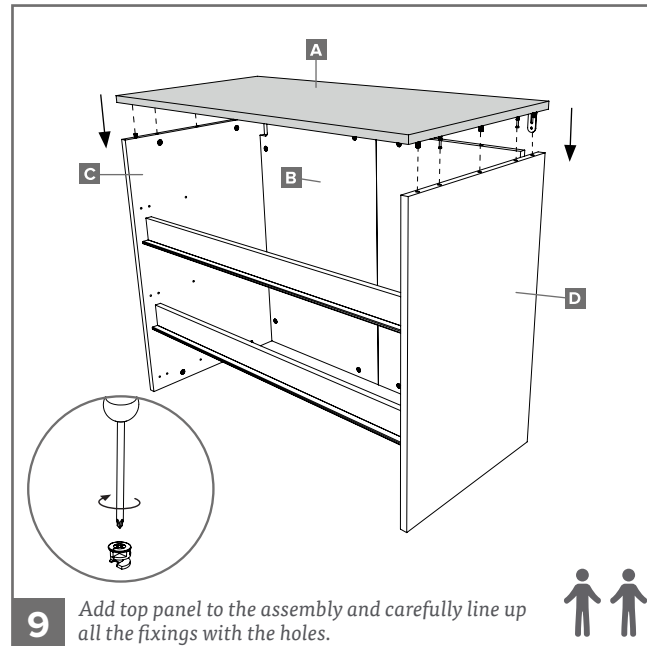
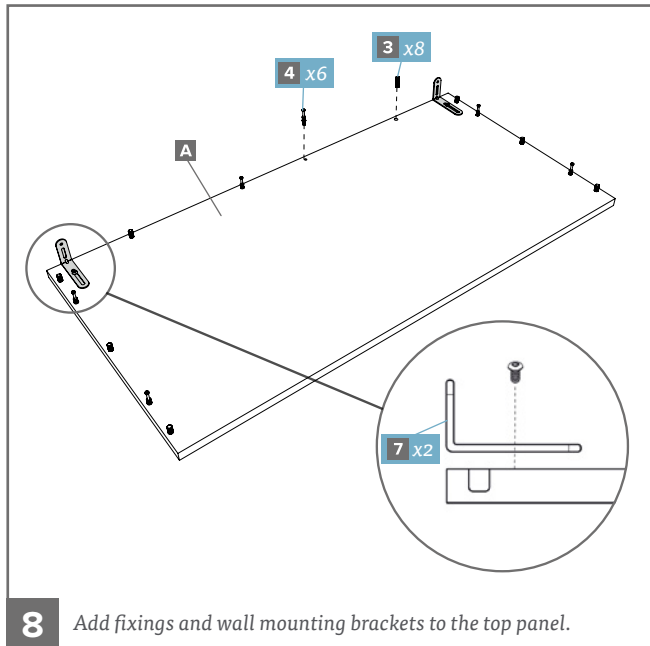
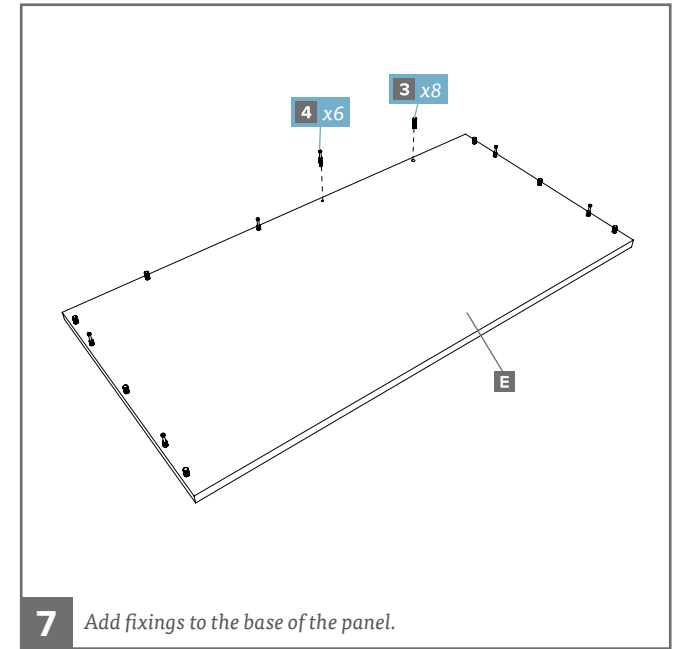
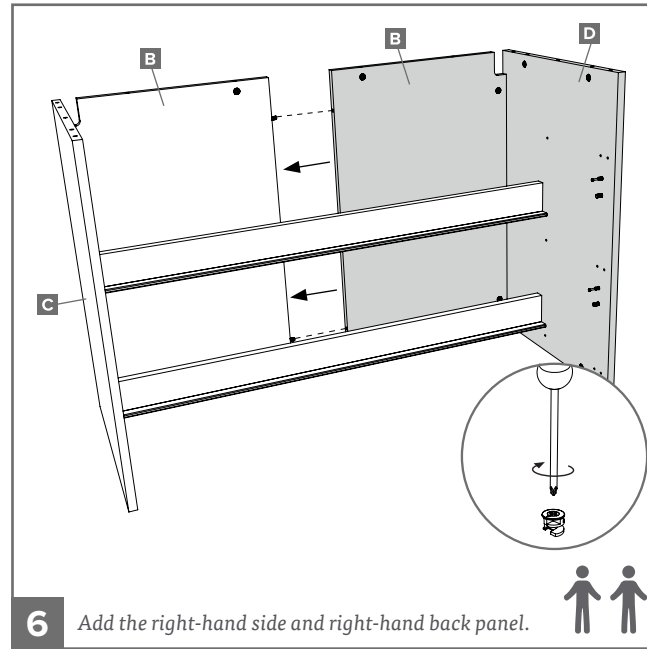
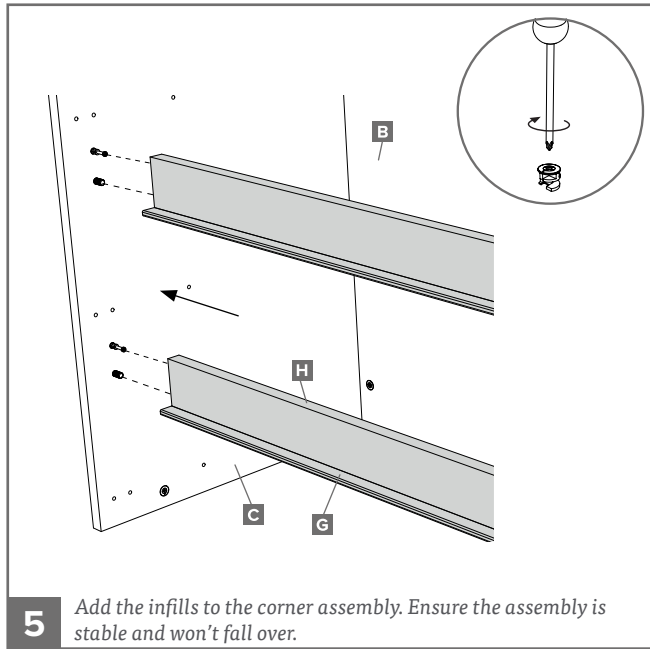
When attaching the infills keep the Tall Boy on its side.

STEP 4b FOR CHEST OF DRAWERS ONLY

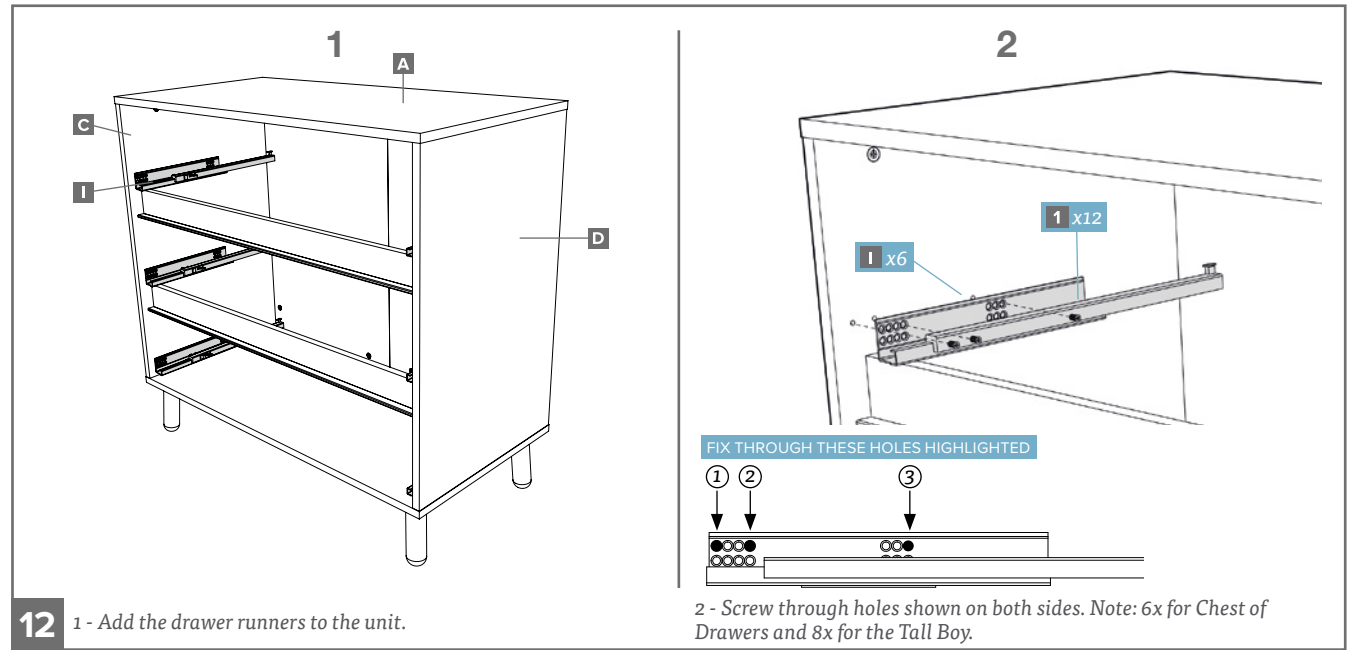
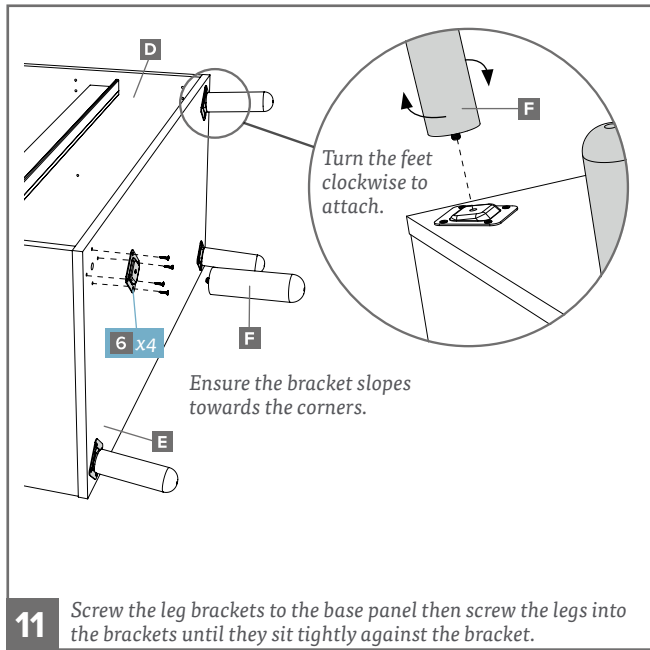


4b Stand the left-hand side panel and back panel on their bottom edges to form a corner. Repeat for both right-hand side panels.

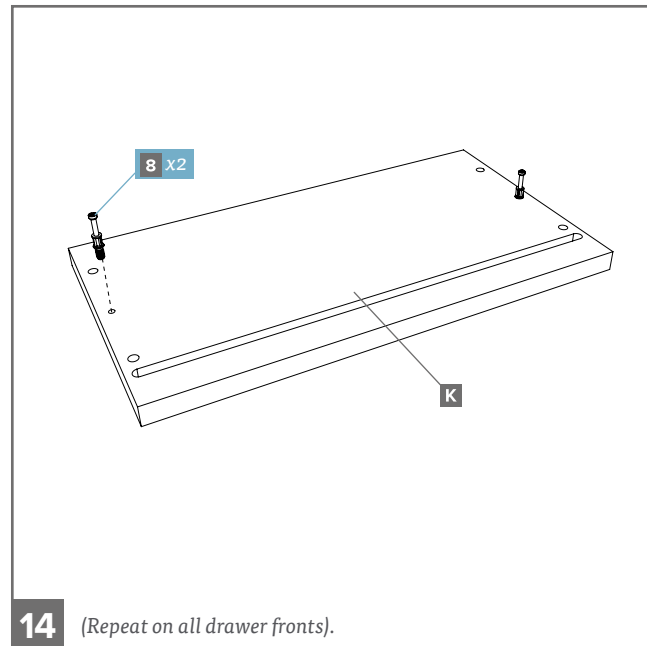
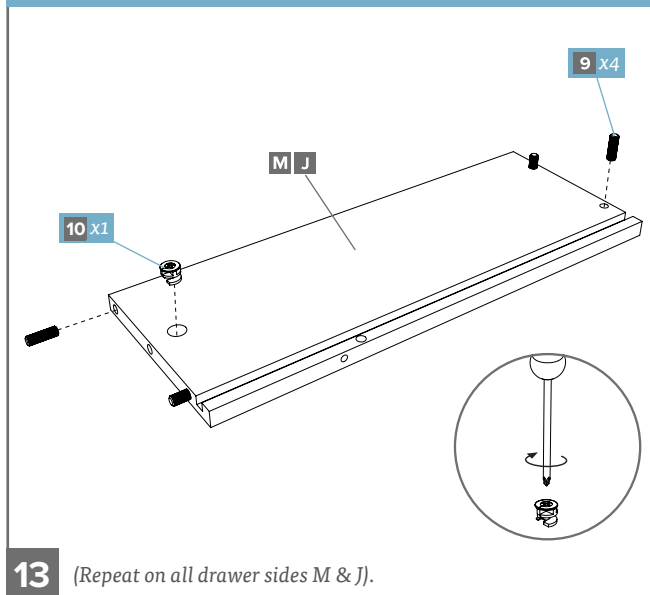
PLEASE NOTE THE CHEST OF DRAWERS AND TALL BOY ARE THE SAME IN CONSTRUCTION. WE HAVE USED THE CHEST OF DRAWERS AS AN EXAMPLE.



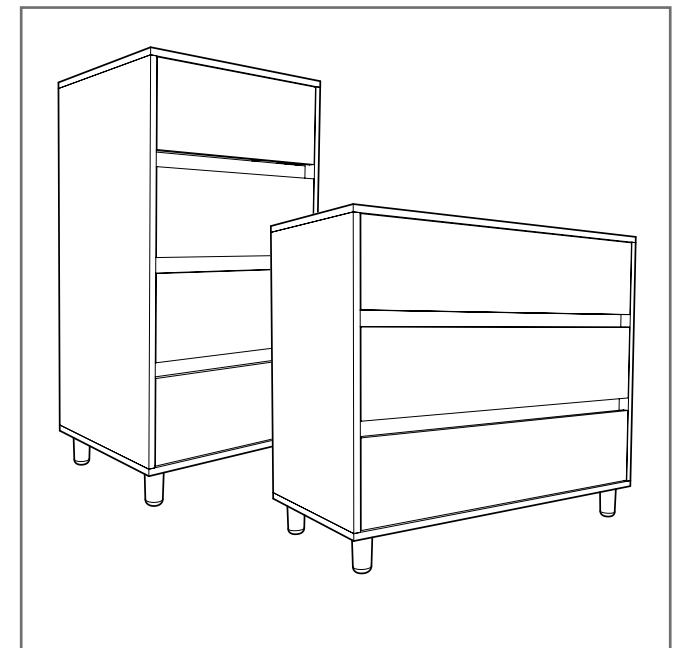
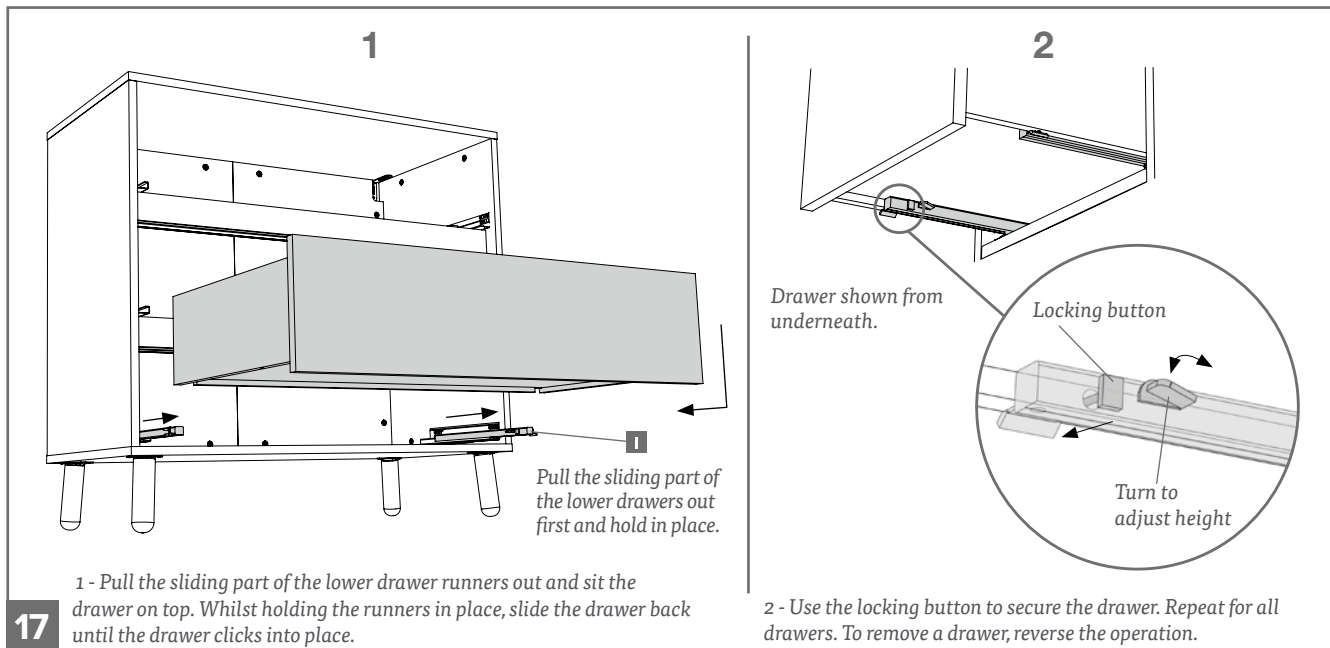
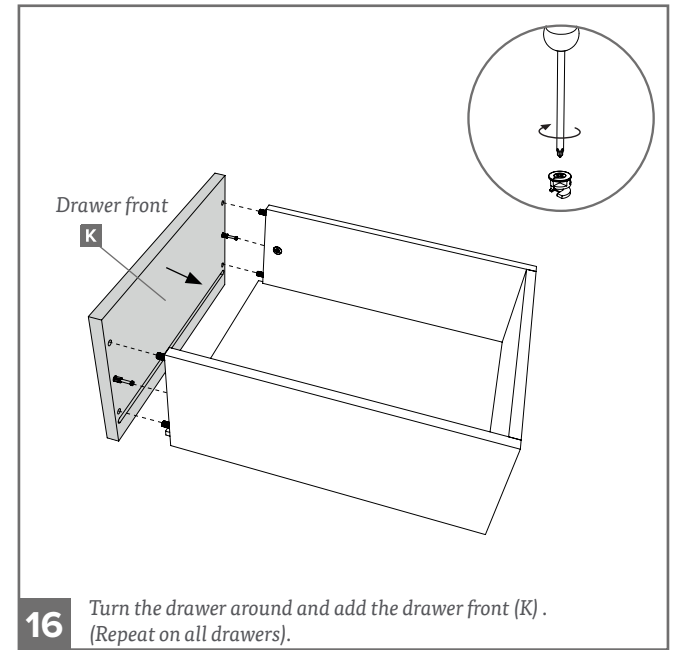
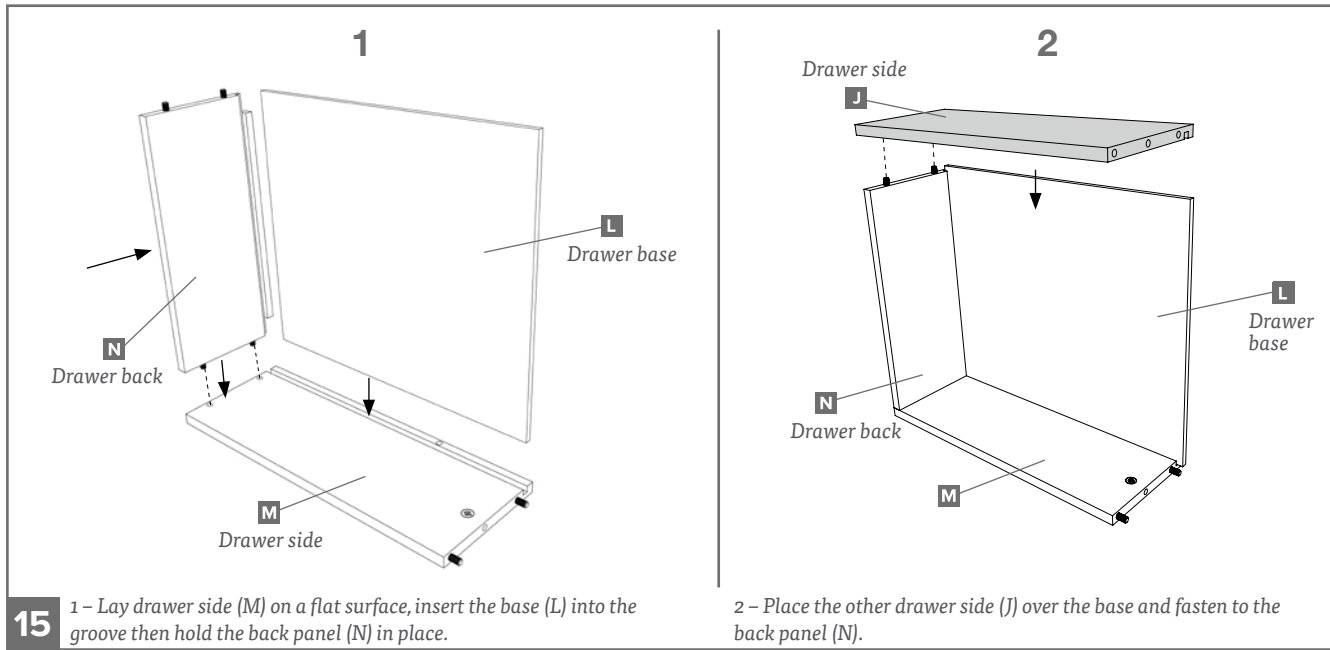
PLEASE NOTE THE CHEST OF DRAWERS AND TALL BOY ARE THE SAME IN CONSTRUCTION. WE HAVE USED THE CHEST OF DRAWERS AS AN EXAMPLE.



MAKING THE DRAWERS



PLEASE NOTE THE CHEST OF DRAWERS AND TALL BOY ARE THE SAME IN CONSTRUCTION. WE HAVE USED THE CHEST OF DRAWERS AS AN EXAMPLE.





WALL MOUNTING BRACKETS

We recommend you use the Wall Mounting Brackets provided to fix the Chest of Drawers/Tall Boy to a wall (where possible). This will prevent the unit being pulled over. Use suitable fixings.

