

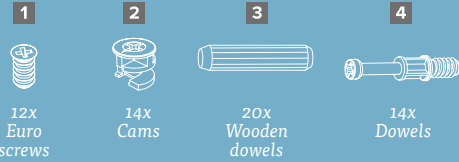
2 DRAWER STORAGE UNIT (450mm wide)

Assembly Instructions

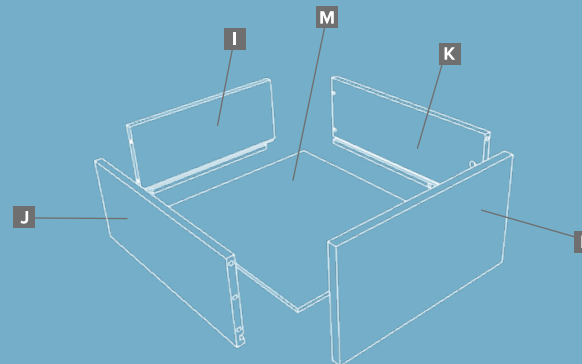
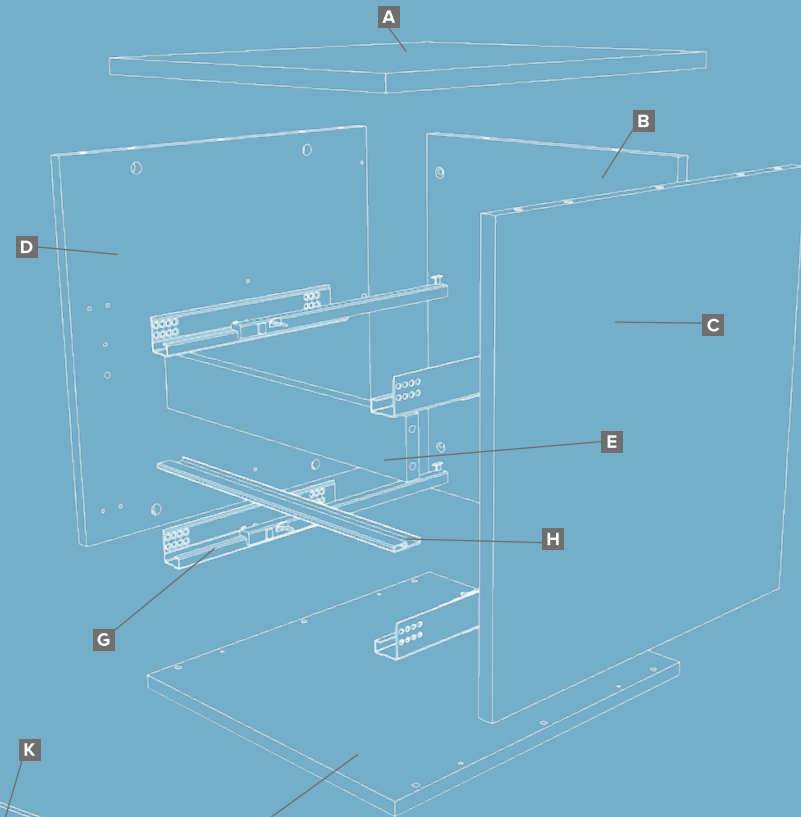
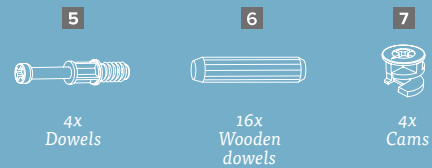
CONTENTS:

- A 1x Top panel
- B 1x Back panel
- C 1x Side panel (right)
- D 1x Side panel (left)
- E 1x Drawer infill panel
- F 1x Base
- G 4x Soft close drawer runners
(2x left, 2x right)
- H 1x Metal infill strip
- I 2x Drawer backs
- J 2x Drawer sides (left)
- K 2x Drawer sides (right)
- L 2x Drawer fronts
- M 2x Drawer bases

BEDSIDE UNIT PACK



DRAWER PACK



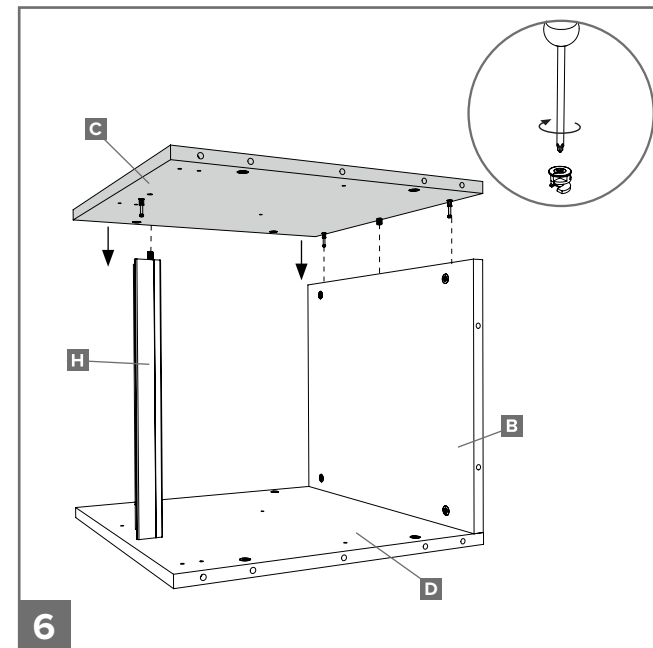
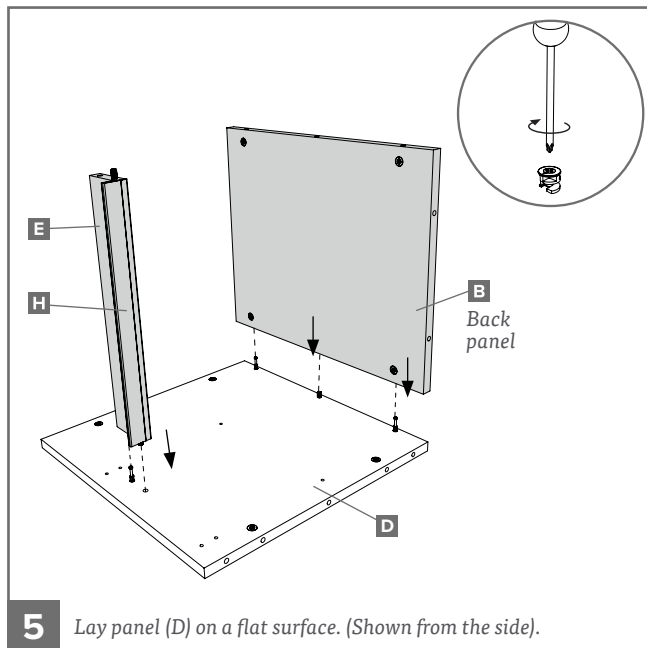
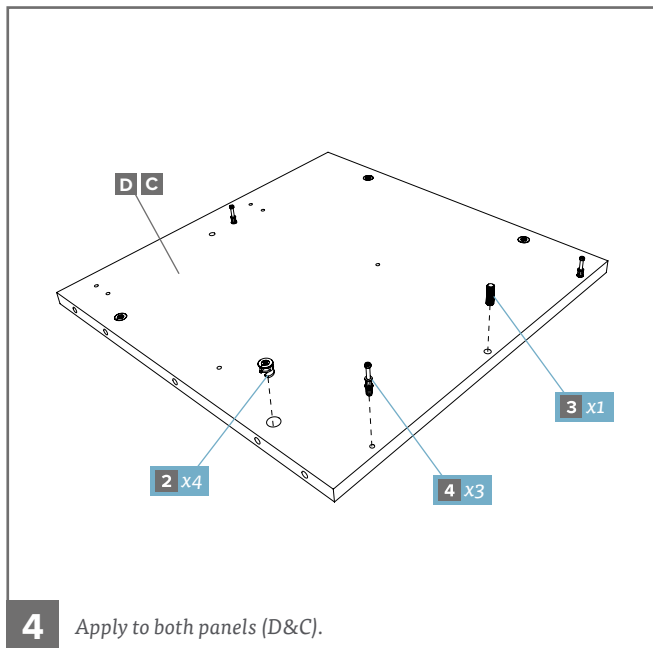
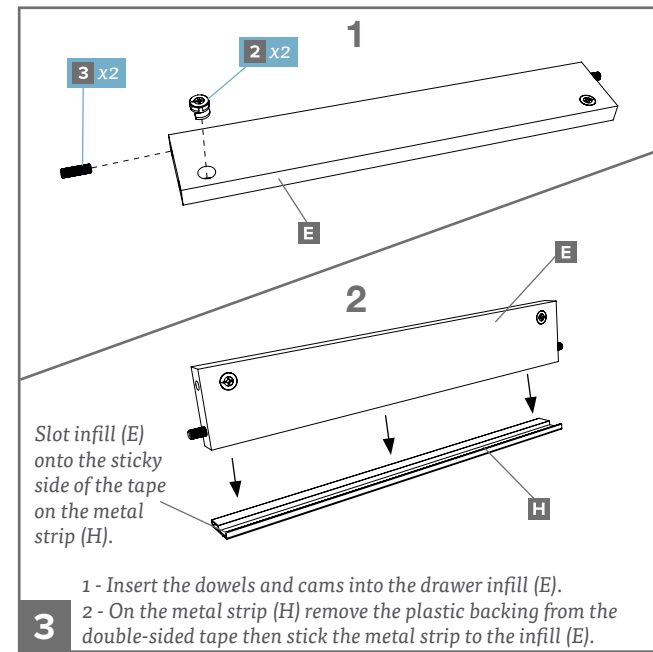
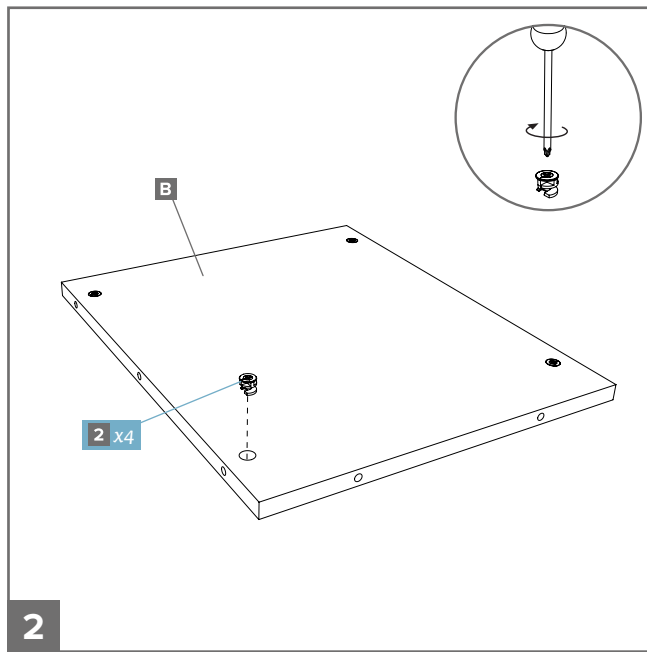
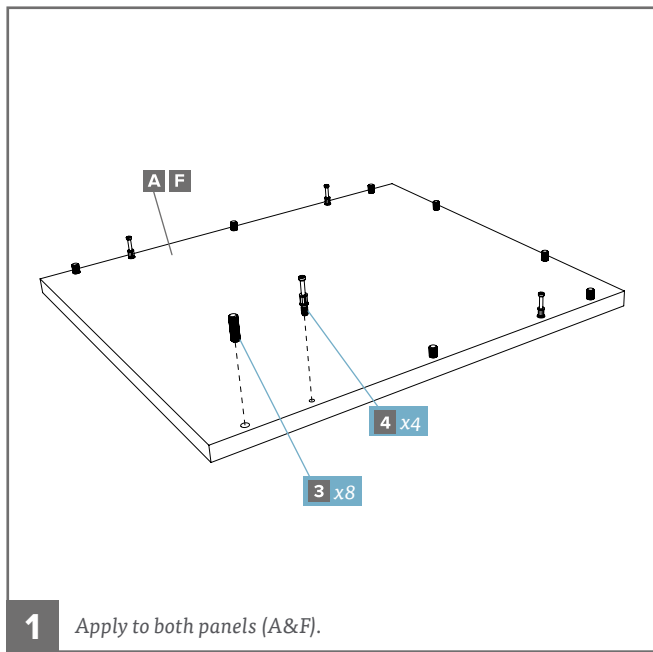
RECOMMENDED TOOLS: Pozi screwdriver

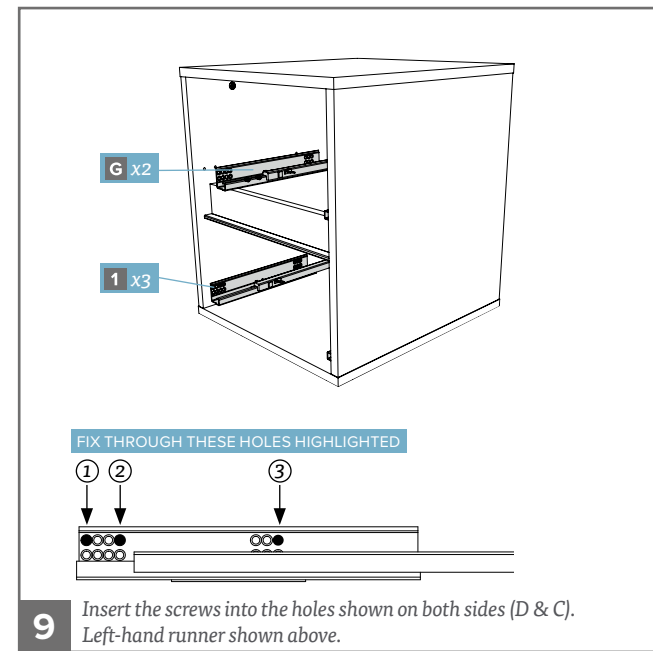
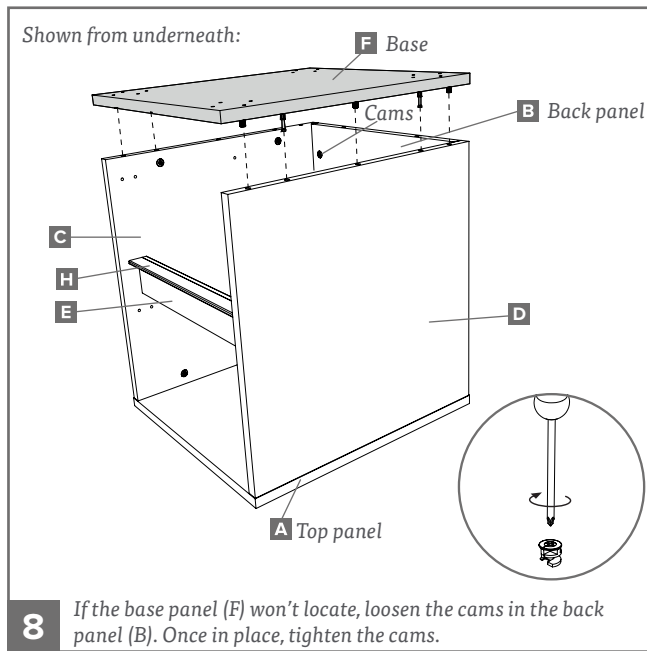
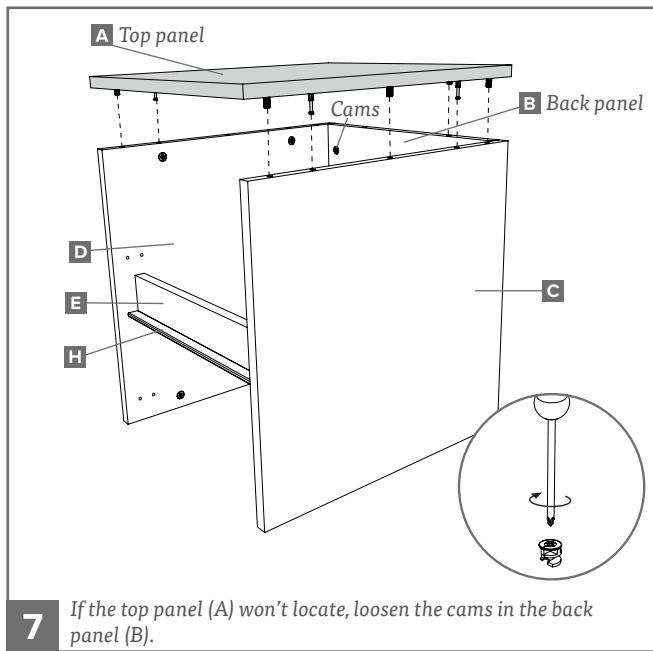


We recommend assembling on a soft surface (e.g a carpet). If this isn't possible, use a protective cover on your hard surface floor.

spaceslide®
we make room

V2





MAKING THE DRAWERS

