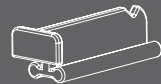
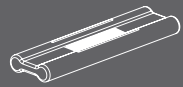


# UNIVERSAL TRACK EXTENSION

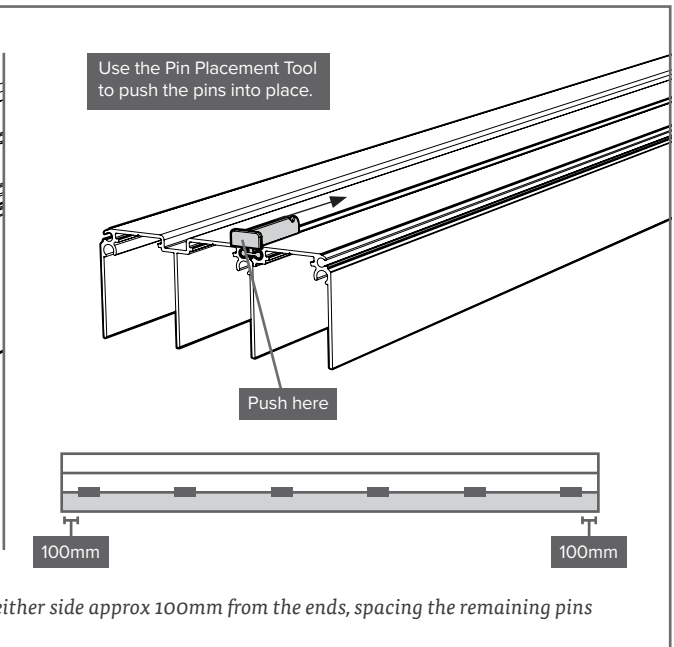
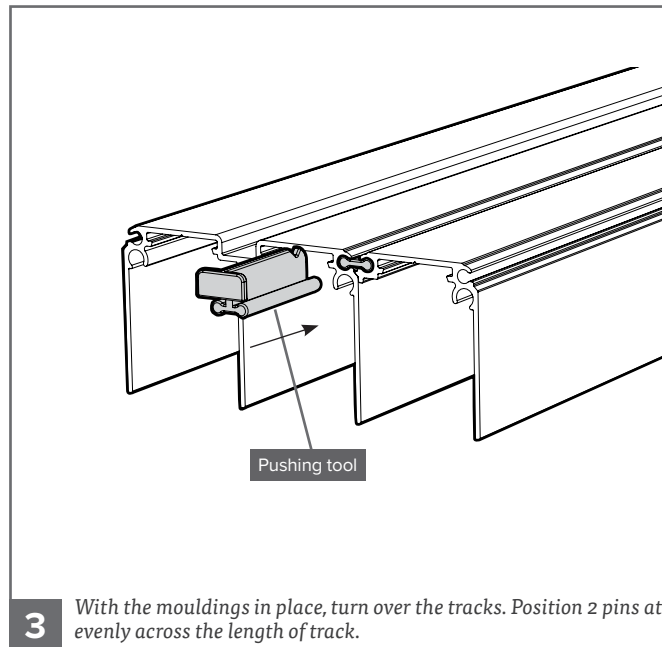
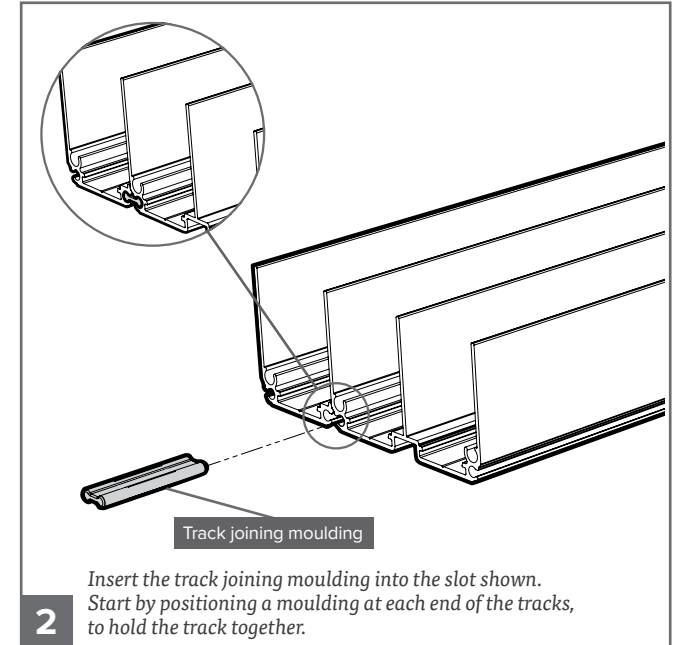
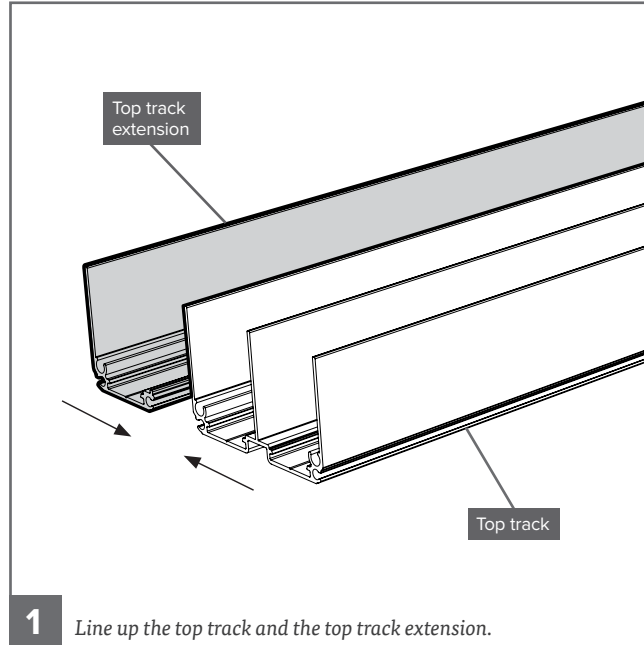
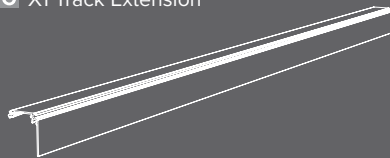
## Assembly Instructions

### CONTENTS:

- A** X6 Track Joining Pins
- B** X1 Pin Placement Tool



- C** X1 Track Extension



V2