

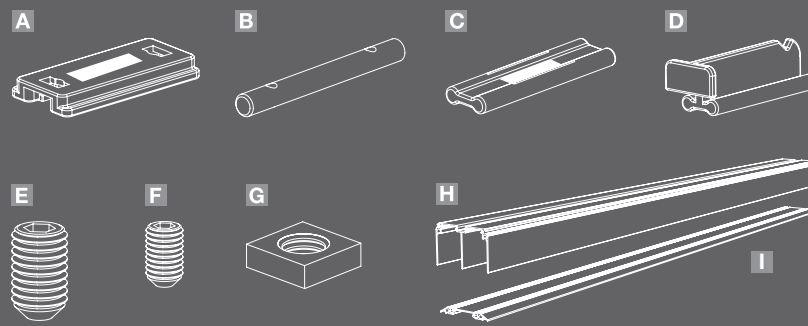
UNIVERSAL TRACK

Assembly Instructions

Tools included: 1.5, 2.5mm Allen key

CONTENTS:

- 2x Top track joining moulding
- 4x Bottom joining pin
- 6x Universal track joining moulding
- 1x Pushing tool
- 4x Socket set screw M4 6mm
- 4x Socket set screw M3 5mm
- 4x Square nut
- 1x Universal double top track
- 1x Universal bottom track

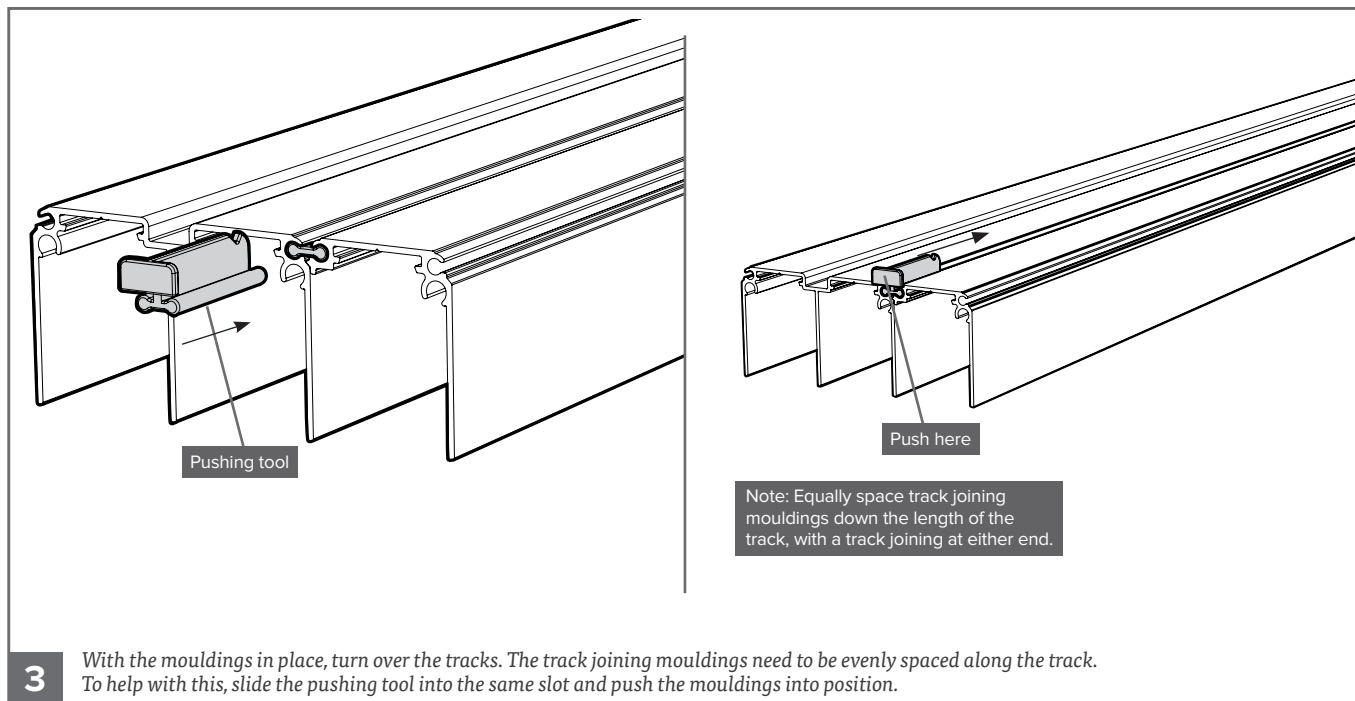
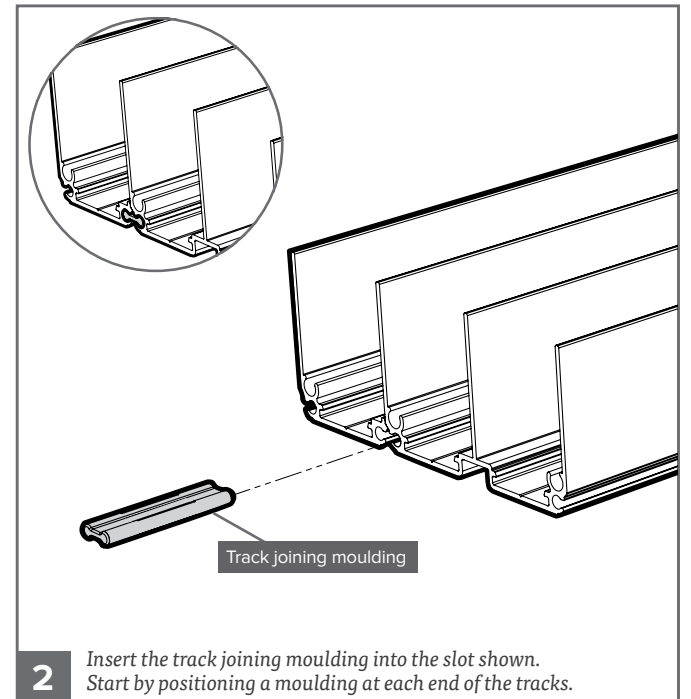
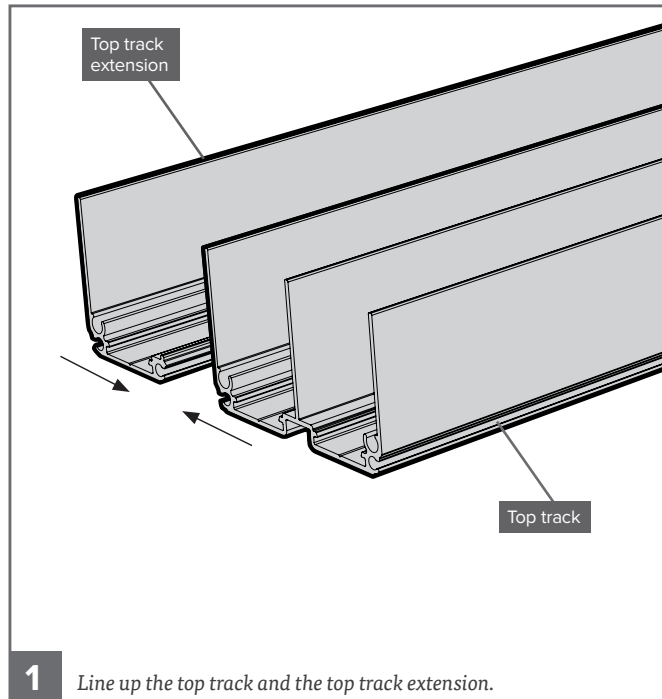


Home Decor GB Ltd.
Innovation way, Woodhouse Mill,
Sheffield, S13 9AD, UK.

Authorised Representative Service EU.
77 Camden Street Lower, Saint Kelvin's,
Dublin, D02 XE8

HOW TO EXTEND TOP TRACK WIDTH

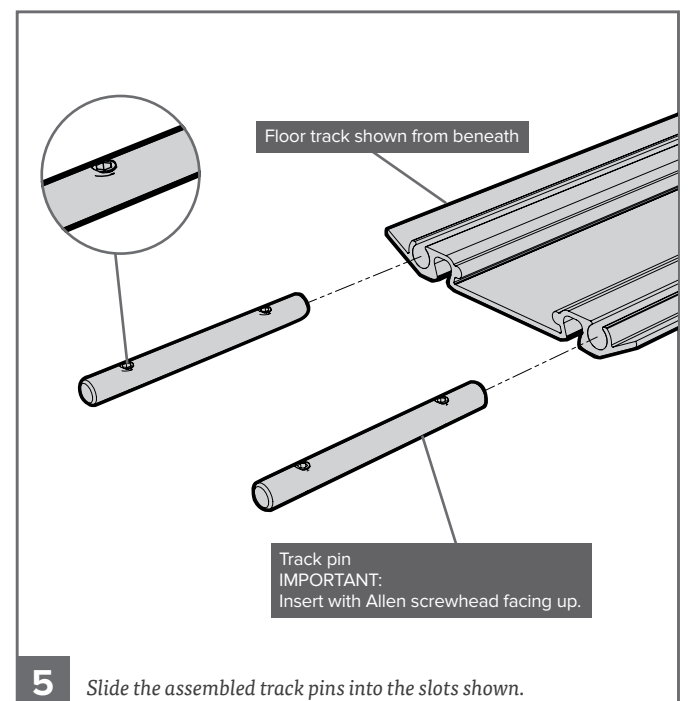
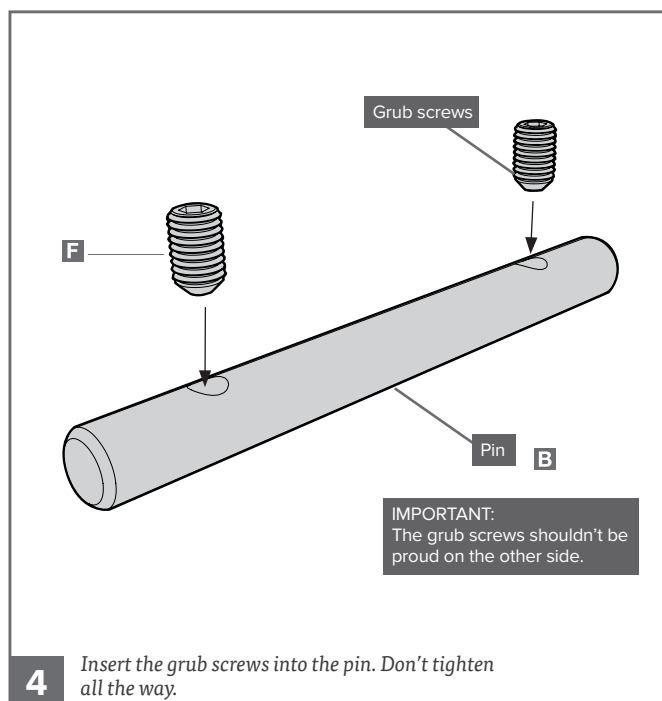
Shown here extending a double track to triple track.

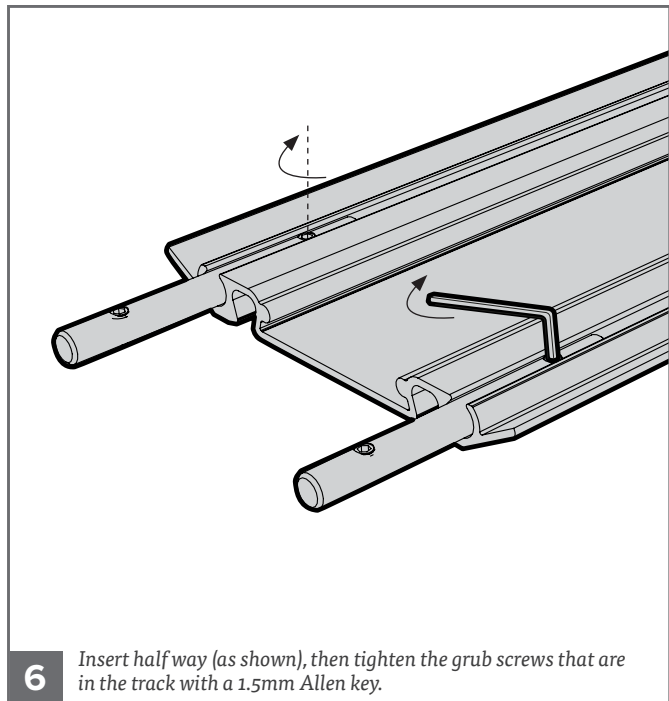


HOW TO EXTEND BOTTOM TRACK LENGTH

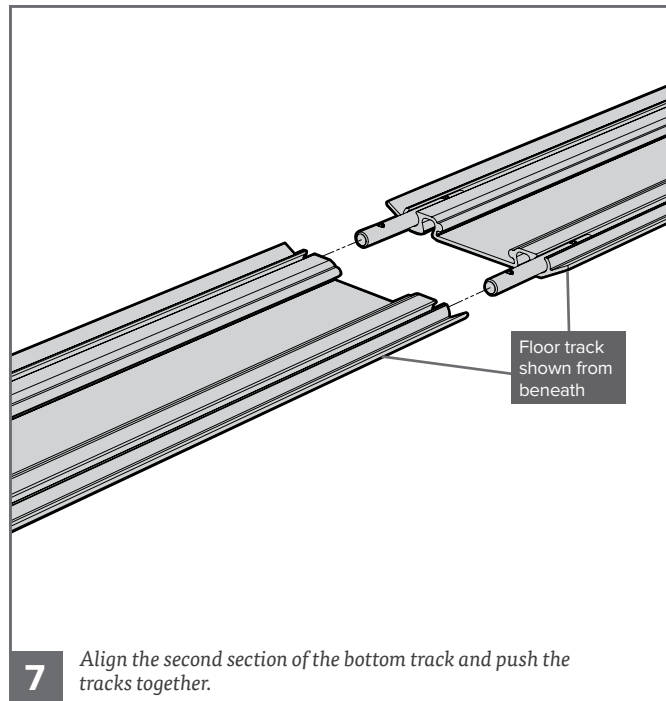
Shown here extending the length of a double track.

1.5mm Allen key supplied.

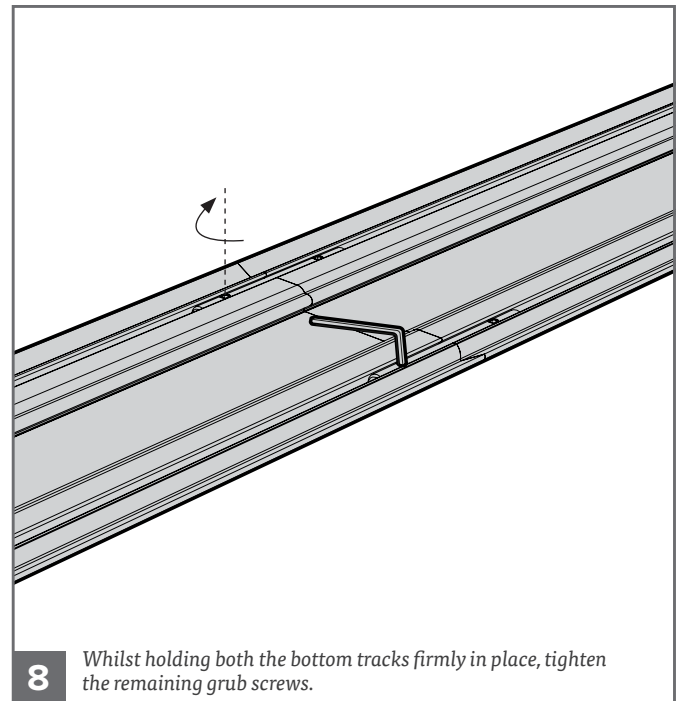




6 Insert half way (as shown), then tighten the grub screws that are in the track with a 1.5mm Allen key.

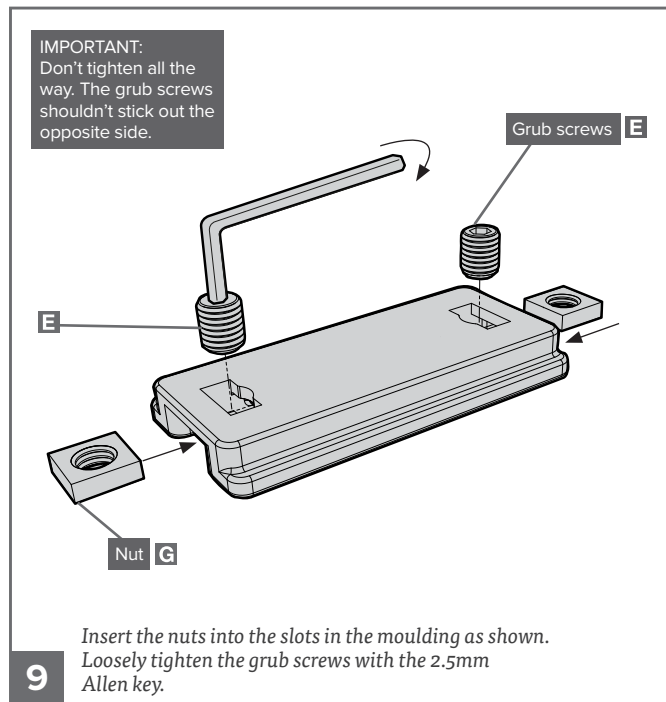


7 Align the second section of the bottom track and push the tracks together.

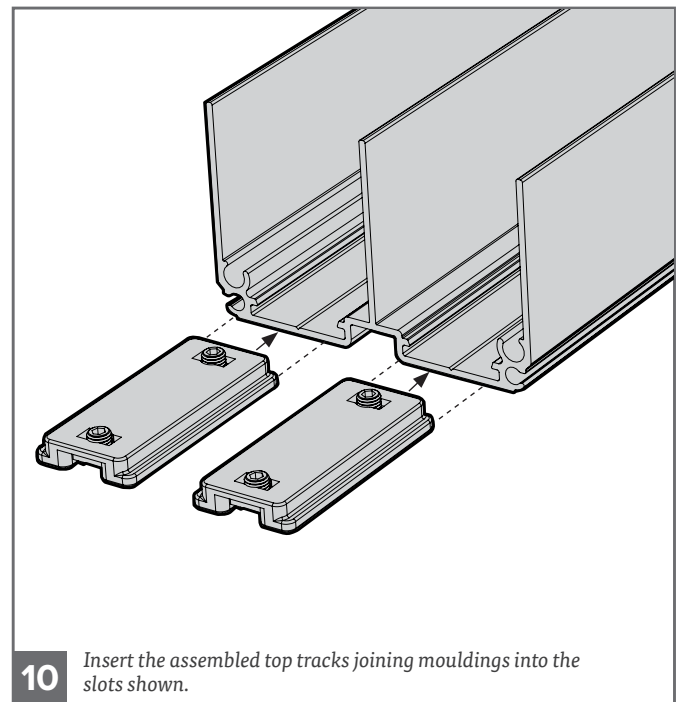


8 Whilst holding both the bottom tracks firmly in place, tighten the remaining grub screws.

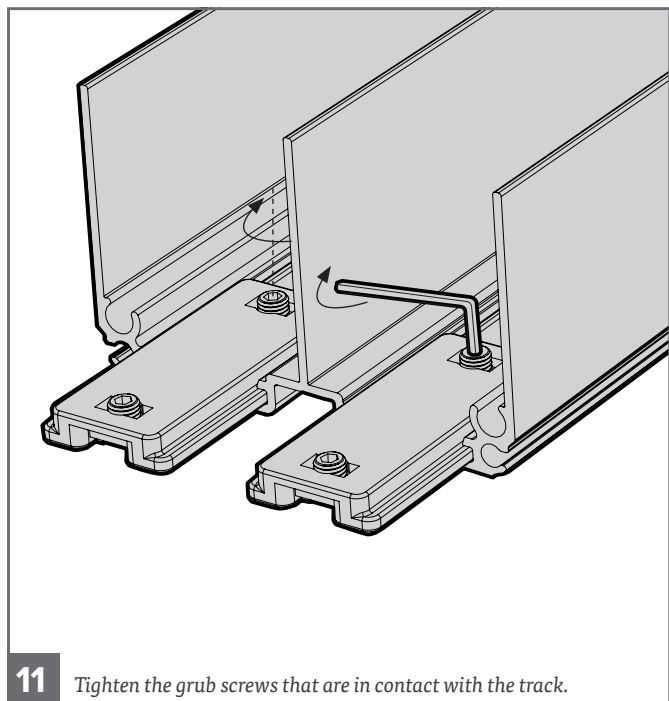
HOW TO EXTEND THE TOP TRACK LENGTH
 Shown here extending the length of a double track.
 2.5mm Allen key supplied.



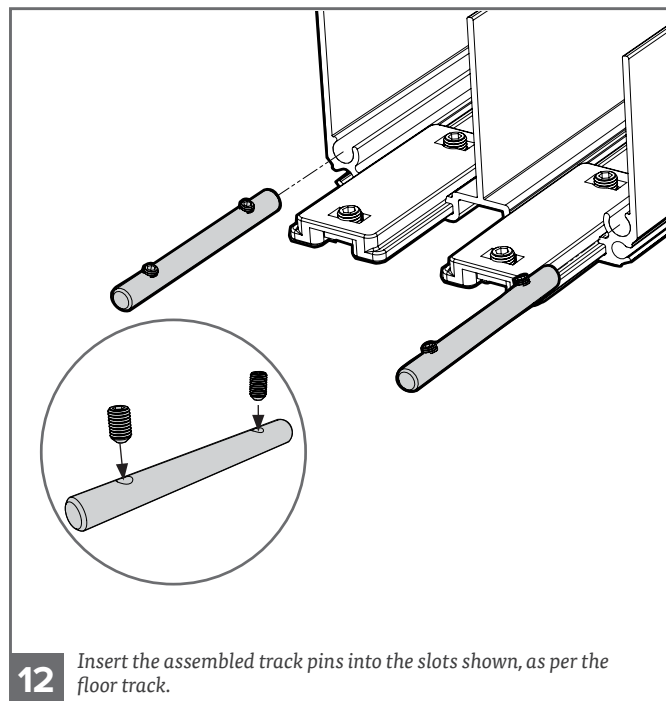
9 Insert the nuts into the slots in the moulding as shown. Loosely tighten the grub screws with the 2.5mm Allen key.



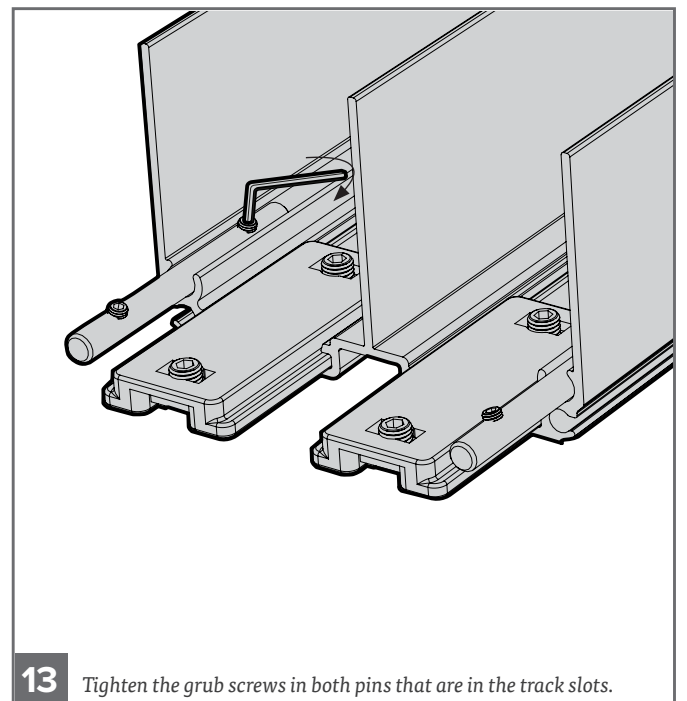
10 Insert the assembled top tracks joining mouldings into the slots shown.



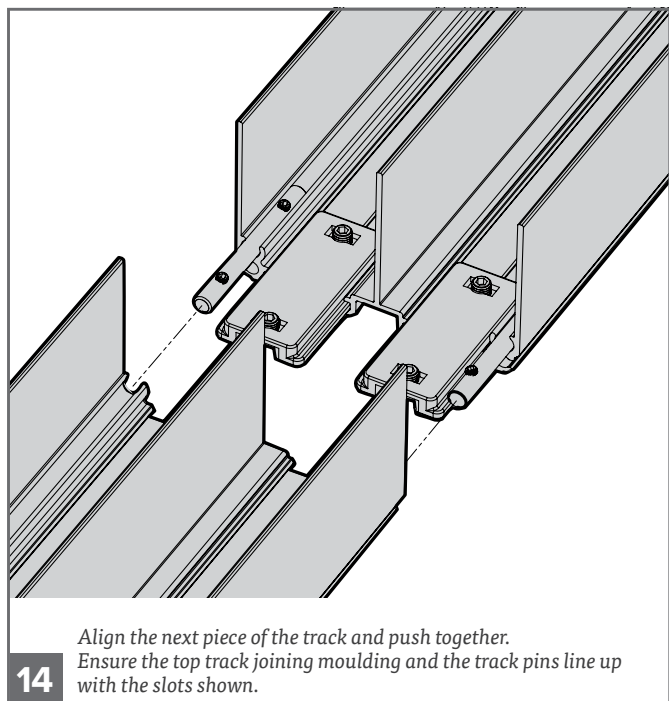
11 Tighten the grub screws that are in contact with the track.



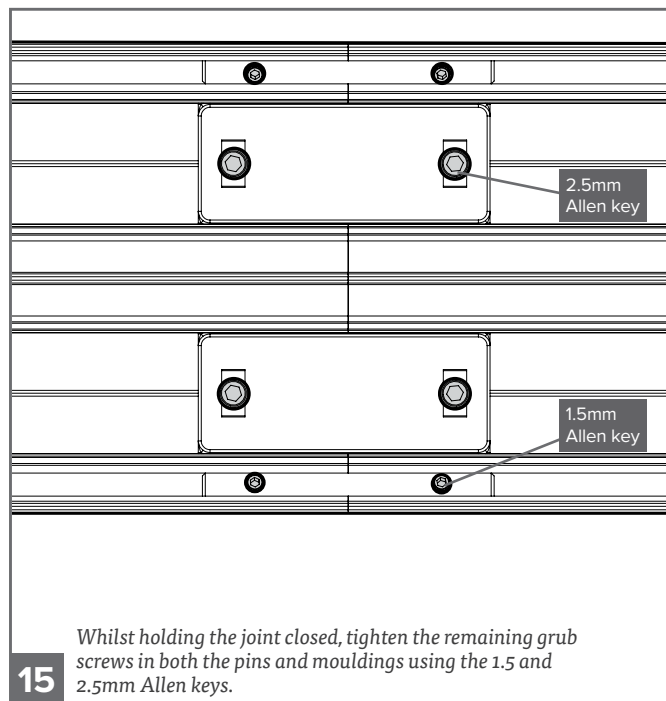
12 Insert the assembled track pins into the slots shown, as per the floor track.



13 Tighten the grub screws in both pins that are in the track slots.



14 Align the next piece of the track and push together. Ensure the top track joining moulding and the track pins line up with the slots shown.



15 Whilst holding the joint closed, tighten the remaining grub screws in both the pins and mouldings using the 1.5 and 2.5mm Allen keys.