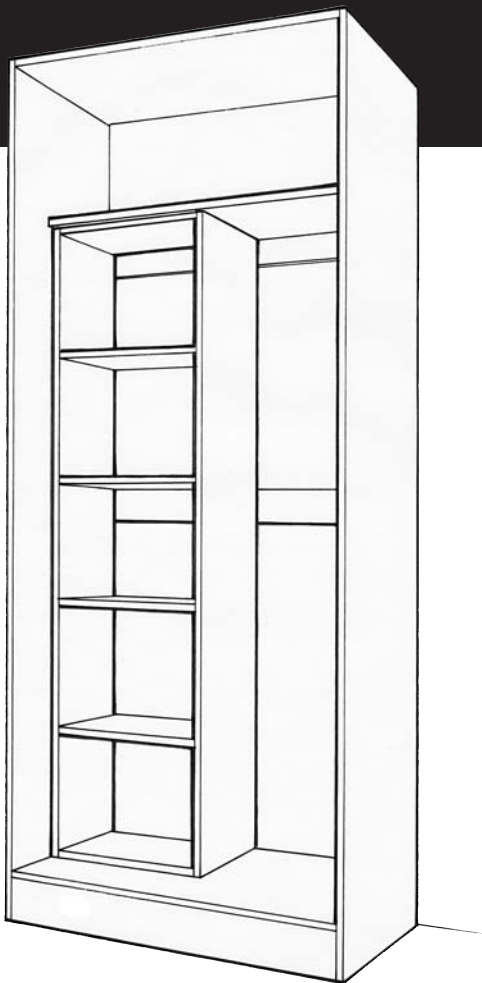


Installation Instructions

WARDROBE TOWER UNIT



PREPARATION

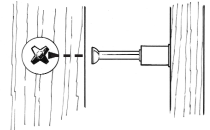
Ensure that the area for assembly is flat, clean and free from any particulates which can scratch the surfaces.

Study the instructions for order of assembly and familiarise yourself with all the parts.

The unit is supplied with dowels and cams. Make sure that the arrow on the cam aligns with the metal dowel (see diagram).

TOOLS REQUIRED

- Pozi-drive screwdriver
- Suitable fixings & screws to fix to wall.

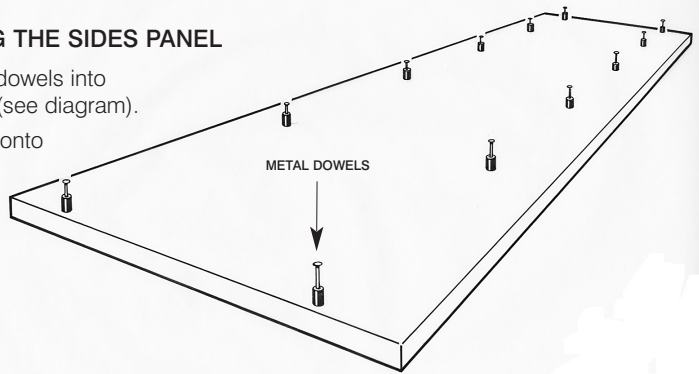


1

ASSEMBLING THE SIDES PANEL

Position metal dowels into the side panel (see diagram).

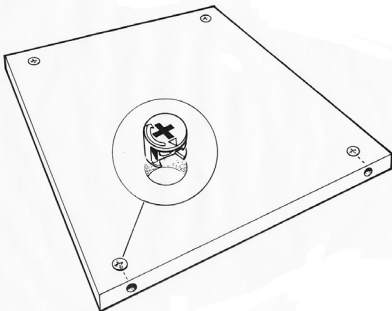
Lay side panel onto a clean flat surface taking care not to scratch the panel surface.



2

POSITIONING CAMS

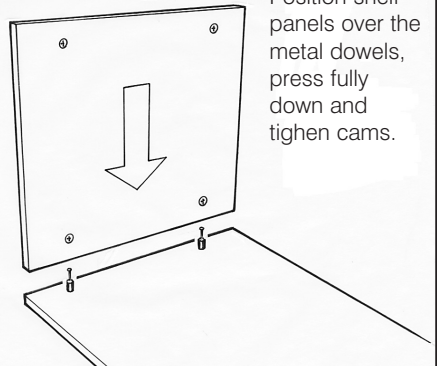
Press in cams make sure arrows aligns with the dowel holes.



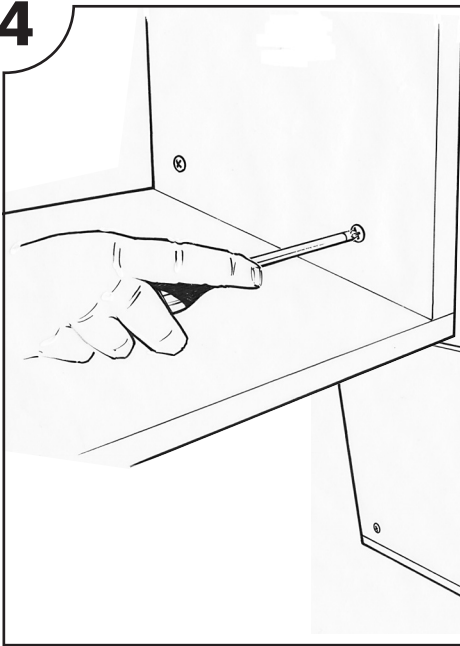
3

POSITIONING SHELF PANELS

Position shelf panels over the metal dowels, press fully down and tighten cams.



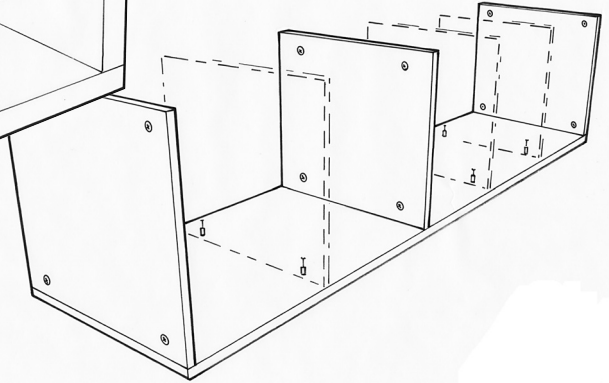
4



SECURING THE SHELVES

Position shelves with the cams facing the underside of the unit. Tighten cams as you proceed using a suitable pozi-drive screwdriver.

Insert and tighten all shelves (see diagram).

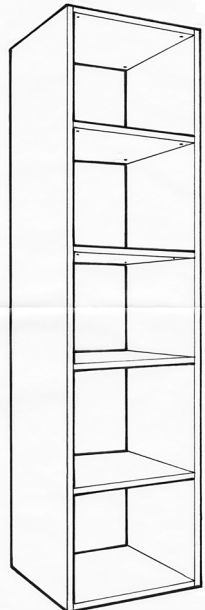


5

FITTING THE OTHER SIDE PANEL

Very carefully lift other side panel into the the dowel holes on the shelf panel. Tighten cams.

Help may be required.





Pushing back the boundaries of space

Spaceslide Showrooms

Northgate, **Aldridge**, Walsall, West Midlands WS9 8TH

T: 01922 743211 - F: 01922 743513 - E: sales@spaceslide.co.uk

Drew House, Ebbens Road, Apsley, **Hemel Hempstead**, Hertfordshire HP3 9QS

Retail: 01442 239900 - Trade: 01442 269963 / 252299 - F: 01442 244121 E: sales@spaceslide.co.uk

www.spaceslide.co.uk