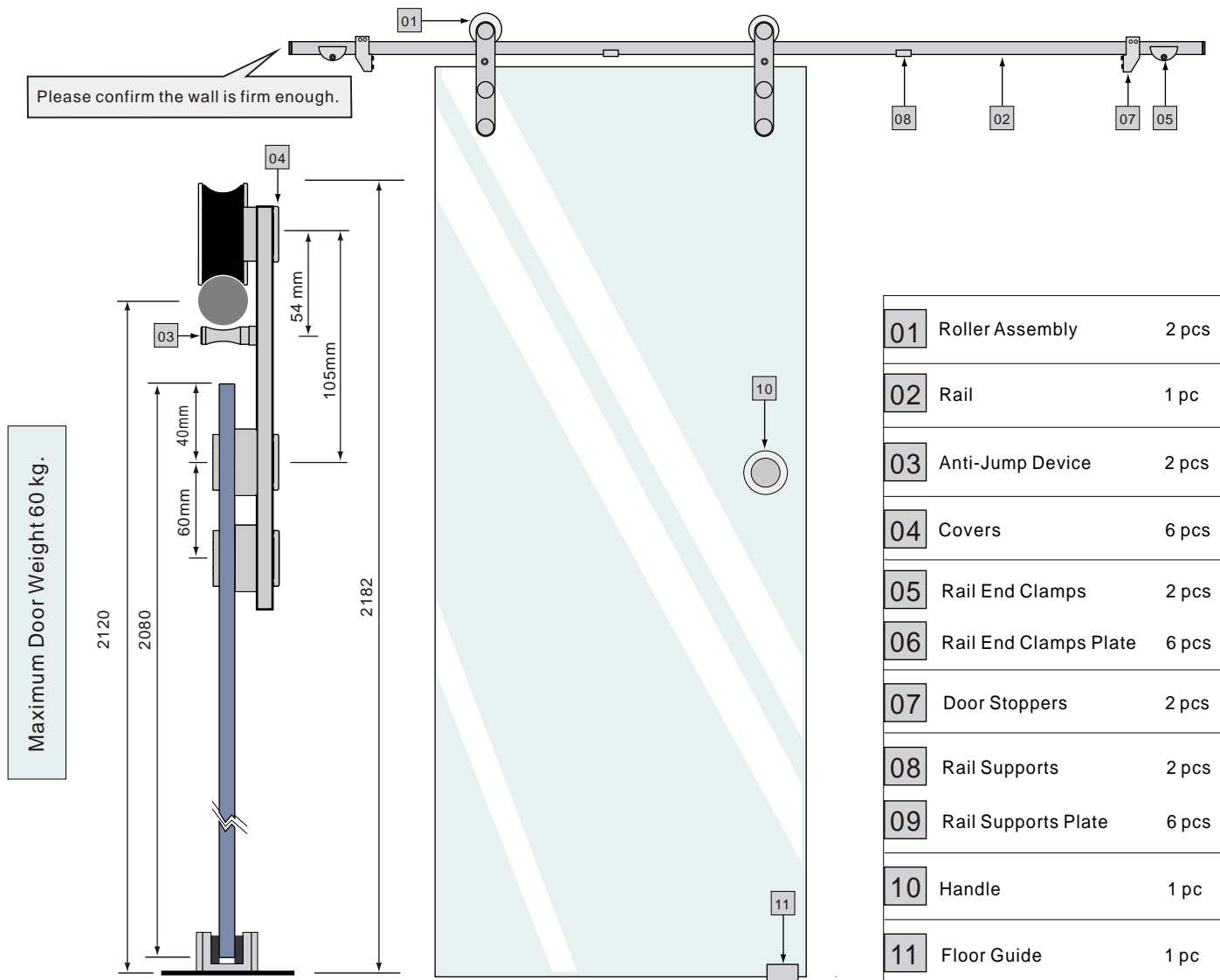
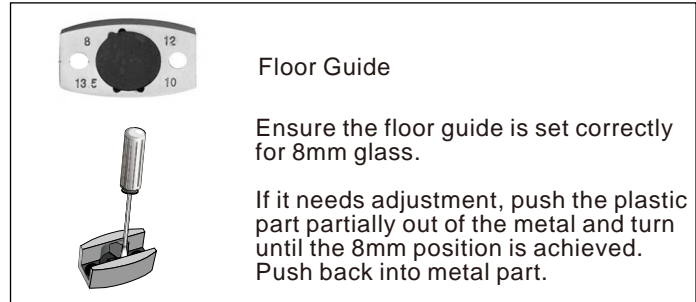
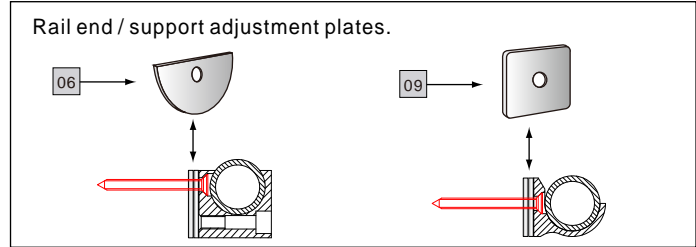
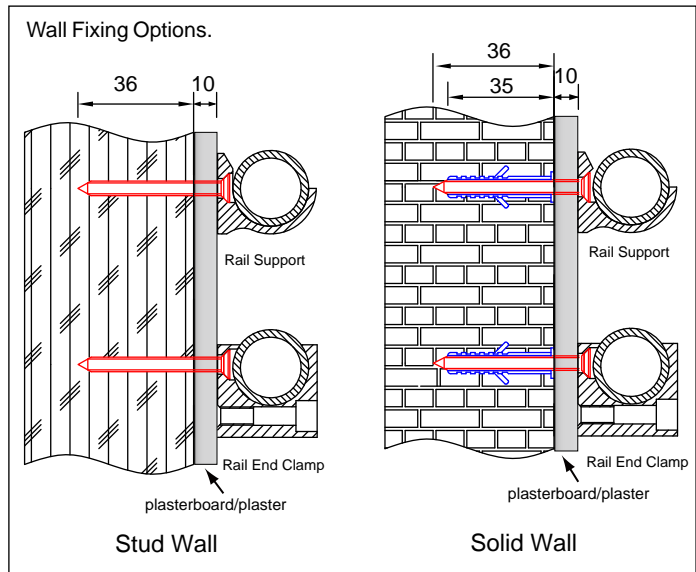


# Installation Instructions - Single Roller Single Glass Door System



Maximum Door Weight 60 kg.

01	Roller Assembly	2 pcs
02	Rail	1 pc
03	Anti-Jump Device	2 pcs
04	Covers	6 pcs
05	Rail End Clamps	2 pcs
06	Rail End Clamps Plate	6 pcs
07	Door Stoppers	2 pcs
08	Rail Supports	2 pcs
09	Rail Supports Plate	6 pcs
10	Handle	1 pc
11	Floor Guide	1 pc



Tool Supplied						Tool Required				
	Wall Plugs for wall & guide	Screws for wall ST4.8x50	Screws for floor guide ST4.8x35	Allen Keys 3, 5 and 8	Adjustable Pin Wrench		Screwdriver	Drill	Tape Measure	Spirit Level

# Installation Instructions - Single Roller Single Glass Door System

IMPORTANT, THIS SYSTEM SHOULD BE ATTACHED TO A SOLID WALL USING APPROPRIATE FIXINGS OR A SUITABLY REINFORCED STUD WALL.

<p>Mark the height required for the wall fixings (see page 1). The centre of rail clamp hole should be 7.5cm from the required rail end, with each subsequent hole being 55cm from the centre of the last. For solid wall, holes should be 8mm diameter and 50mm deep. For stud wall, holes should be 3.5mm diameter and 50mm deep. It is very important that these holes are exactly level.</p>	<p>Solid walls only – Insert wall plugs into holes.</p> <p>Attach the rail end clamps using the screws supplied. Note - You will need to separate the two halves of the end clamp prior to positioning onto the wall.</p> <p>If walls are uneven, the appropriate metal plates for both rail support and rail end clamp can be used to pack out the fixing and keep the rail perfectly straight and level.</p>		<p>Prior to positioning the rail, slide a door stopper onto each end of the rail, but do not tighten the screws (until you are satisfied with the location/angle of each once the door is hung. The stopper should come into contact with the roller carriage, not the glass). Screw the cover part of the rail clamp back onto the wall unit securely and check the rail is level and solid.</p>	<p>Remove the anti-jump devise using the 8mm Allen key supplied and unscrew the caps of the lower two assemblies, releasing the 8mm Allen screws.</p>	<p>Unscrew the assemblies as shown, using the adjustable pin wrench supplied. Install onto the glass, ensuring the correct assembly sequence. Take care to ensure you do not overtighten the fitting and damage the glass.</p>
<p>Attach the main body of the assemblies and fix firmly into position using the screws and Allen key supplied. Note that there is an amount of adjustment available so ensure the glass is not stressed.</p>	<p>With the aid of an assistant, hang the glass on the rail. Take care not to knock the corners of the door on anything. It is always advisable to put some cardboard / carpet beneath the work area.</p>	<p>Install the anti-jump device with the 8mm Allen key supplied and fix firmly. Screw the bottom covers back on.</p>	<p>Fix the door guide to the floor, approx 19mm from the walls to the centre of the fixing holes assuming a flush wall. Allowances will have to be made for any architrave/skirting if fitted. The guide should be positioned just before the wall opening in the approximate centre of the door movement.</p>	<p>Install round handle.</p>	<p>Completed installation.</p>

\*Please note you are responsible for the correct installation of this unit so please ensure you pay particular attention to these instructions AND those that are supplied with the glass door.