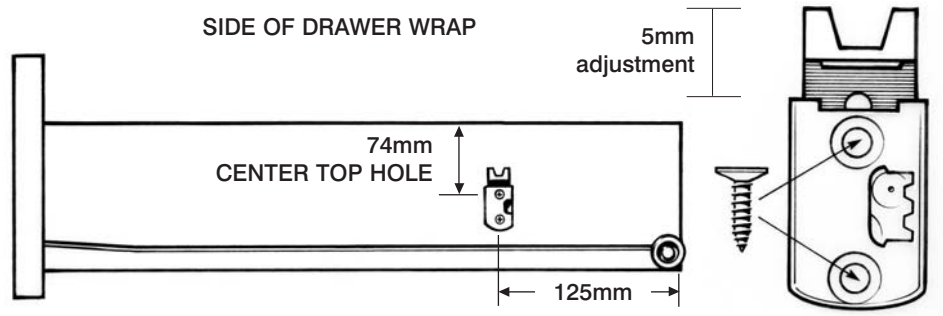


Installation Instructions

SOFT CLOSE DRAWERS & DRESSING TABLE

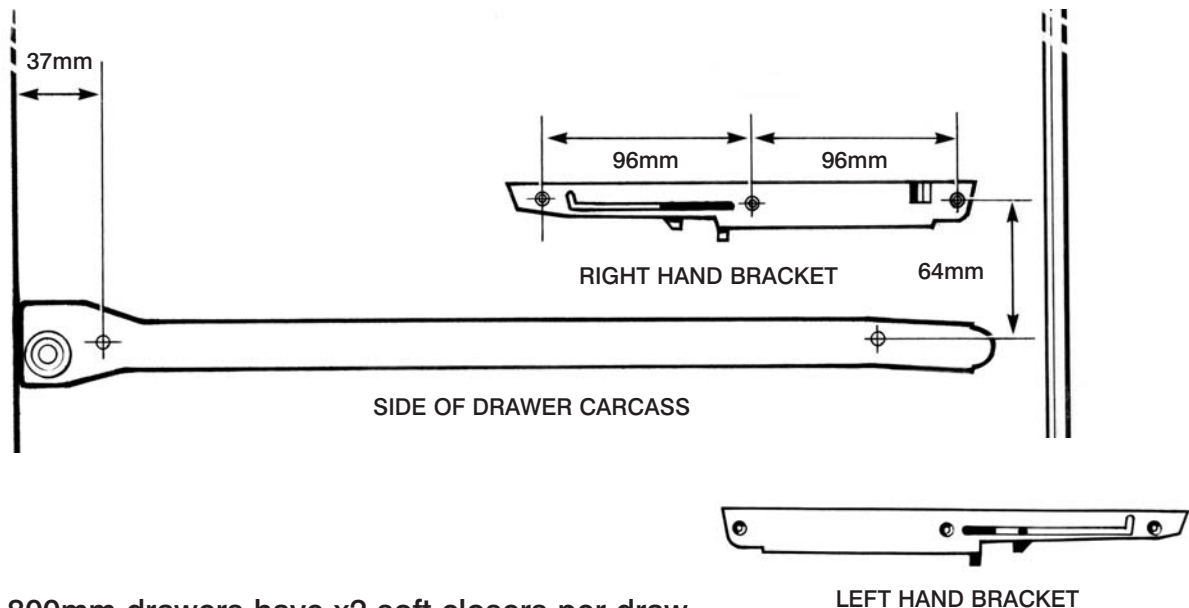
FITTING SOFT CLOSE DRAWER CATCHERS

Position as diagram, adjust as necessary.



SOFT CLOSE DRAWER

Position drawer close as diagram into the pre drilled holes.



NOTE: 800mm drawers have x2 soft closers per draw.

DO NOT USE ABRASIVE OR CHEMICAL BASED CLEANING AGENTS OR FILLERS ON THE FRAMES OF YOUR SPACESLIDE PRODUCTS; IT MAY RESULT IN TARNISHING OR PEELING.



Pushing back the boundaries of space

Spaceslide Showrooms

Northgate, Aldridge, Walsall, West Midlands WS9 8TH T: 01922 743211 - F: 01922 743513 E: sales@spaceslide.co.uk

Drew House, Ebbw Vale, Apsley, Hemel Hempstead, Hertfordshire HP3 9QS Retail: 01442 239900 - Trade: 01442 269963 / 252299 - F: 01442 244121 E: sales@spaceslide.co.uk

www.spaceslide.co.uk