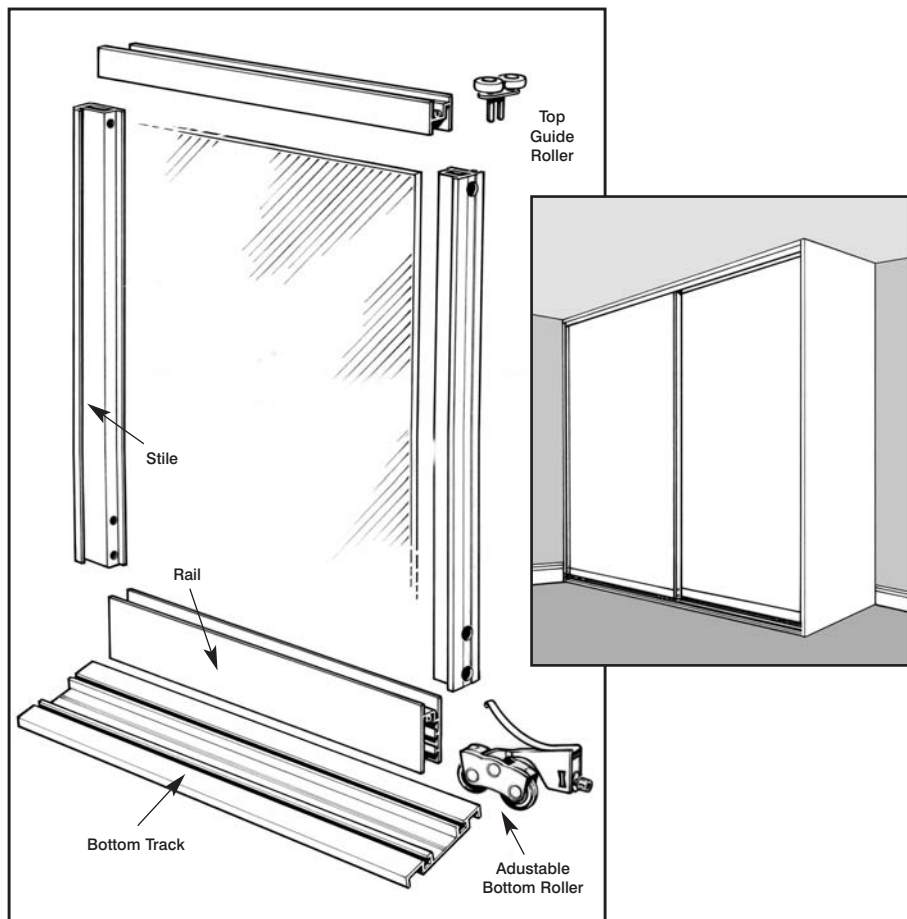


# Installation Instructions

## MINIMA WARDROBE DOORS

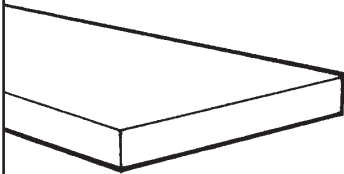


**IMPORTANT: Ensure there are no water pipes or electrical cables in the area of the installation.**

### TOOLS REQUIRED

- Power drill/driver
- IF CONCRETE floor: No 8 masonry drill bit
- IF TIMBER floor: 4mm steel drill bit
- Spirit level
- Pencil
- Fixing blocks (if installing end panels)
- Pozi-drive screwdriver
- Hacksaw, recommend 42 tpi blade (to trim tracksets)
- Woodsaw (to trim liners)
- Screws & fixings to attach tracks and liners to ceiling and floor
- Packing if walls/ceiling are uneven

### LINERS AND END PANELS



**Liners** are 90mm - 100mm wide x 18mm thick - minimum 2.5m lengths of MFC board edged on the longer sides supplied in kits of 2, 3 or 4 pieces dependant upon size of wardrobe and your order.

**End Panels** are 600mm wide x 18mm thick x minimum 2.5m lengths of MFC board edged on longest sides.

**Note: For installations over carpet we recommend you use the liner system.**

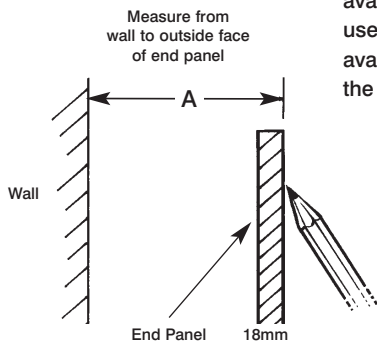
### LINERS PREPARATION

- With a wall to wall situation, the liners should be installed to each wall and underneath the bottom track.
- Where an end panel is specified the liner should be fitted inside the opposite wall and underneath the bottom track.
- Any system over 2.5m wide will need two liners fitted underneath the bottom track butted together. The Spaceslide ordering system will take this in to consideration, (no need to to order extra).
- Before commencing installation decide which option you prefer with regard to existing skirting boards. The liner thickness is generally the same as the projection of the skirting board therefore if you wish to avoid cutting the skirting board the liner can be positioned above the skirting to the ceiling. (see illustration section 3)
- If you wish to run the liner from floor to ceiling then you must remove the skirting board at the correct position allowing a tolerance for the liner supplied.
- If you also have a coving at ceiling level and you have ordered your system to fit to the ceiling height you must also remove the corresponding portion of the coving with clearance to allow for the liner to finish at ceiling level.

**Note: No liners are fitted to the ceiling.**

## FITTING OF END PANELS

Used when a wall to wall installation is not available. One or two end panels can be used - use one end panel when a single end/side wall is available and two in a flat wall situation (centre of the wall).

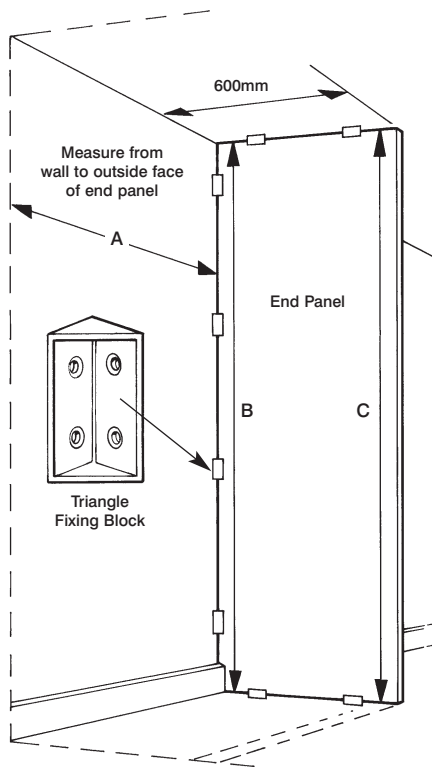
**Step 1**

Measure from the wall your ordered width dimension and mark position on the back wall with a pencil - this will be the outside face of the end panel (A).

At this position measure the back wall dimension from floor to ceiling (B) and also at position 600mm from the wall (front edge of the end panel) (C).

If both dimensions are the same cut down the end panel to this size minus 2mm.

If there is a significant difference between the sizes cut the end panel to match the shape of the ceiling.

**Step 2**

Either cut to shape the end panel over the skirting board or remove the skirting board for the thickness of the end panel.

**Step 3**

Using fixing blocks, secure them flush with the edge of the end panel. Two at the top and bottom and four to the long wall edge. Place the panel against the back wall, check for plumb with a spirit level and secure through blocks with screws and plugs provided. Use No 8 x 13mm screws into the panel (so that they do not come through). Use No 10 x 32mm screws (supplied) for fixing to the wall.

**Step 4**

Continue fitting the bottom track liner and wall liner as previous instructions, (section 2) installing between the end panel and the wall/skirting board.

## FITTING BOTTOM TRACK LINER

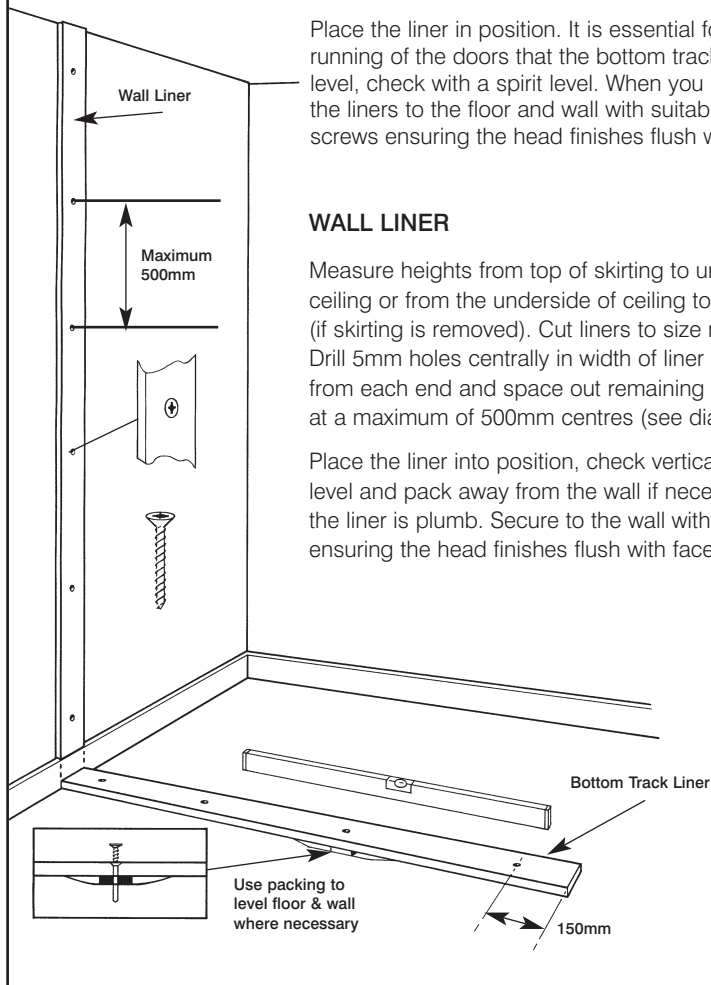
Measure between wall to wall or skirting to skirting (if you chose not to remove skirting). Cut the liner to size minus 2mm. Drill 5mm holes centrally in width of the liners approx 150mm from each end and space out the remaining screws evenly at a maximum of 500mm centres (see diagram).

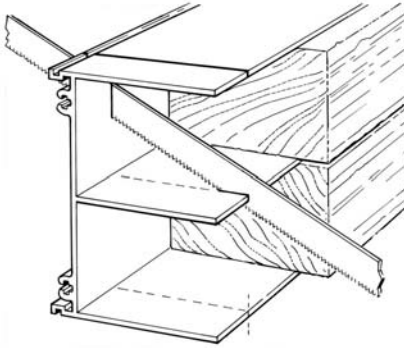
Place the liner in position. It is essential for the proper running of the doors that the bottom track is perfectly level, check with a spirit level. When you are satisfied fix the liners to the floor and wall with suitable countersunk screws ensuring the head finishes flush with face of liner.

## WALL LINER

Measure heights from top of skirting to underside of the ceiling or from the underside of ceiling to floor (if skirting is removed). Cut liners to size minus 2mm. Drill 5mm holes centrally in width of liner approx 150mm from each end and space out remaining screws evenly at a maximum of 500mm centres (see diagram).

Place the liner into position, check vertical with a spirit level and pack away from the wall if necessary to ensure the liner is plumb. Secure to the wall with suitable screws ensuring the head finishes flush with face of liner.



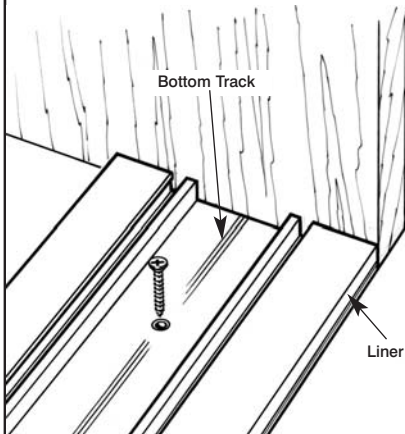
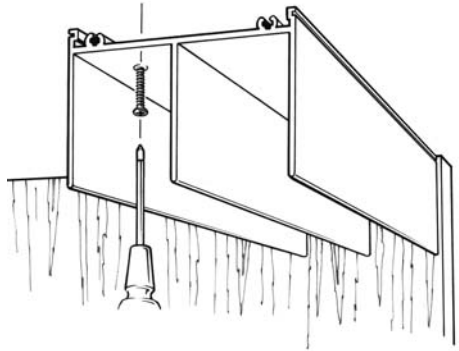


### CUTTING THE TOP AND BOTTOM TRACK

Using a fine tooth hacksaw, cut the top guide track and bottom track 2mm shorter than the opening width. To assist when cutting the top track insert 50mm x 100mm (2" x 4") wood blocks into each channel for support. (see diagram)

### INSTALLING THE TOP TRACK

Determine ceiling fixing positions. Drill 5mm holes to suit in the top track. Screw the track through prepared holes into the ceiling using suitable screws (not supplied). Avoid using excessive force when fixing as this could deform the top guide track.



### INSTALLING THE BOTTOM TRACK

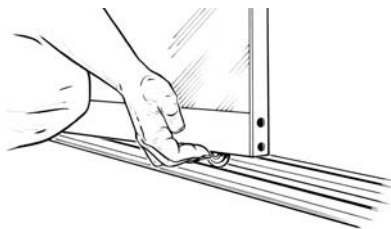
Determine fixing positions. Drill 5mm holes to suit. Screw the bottom track through prepared holes into the liner using suitable screws (not supplied).

## INSTALLING THE DOORS

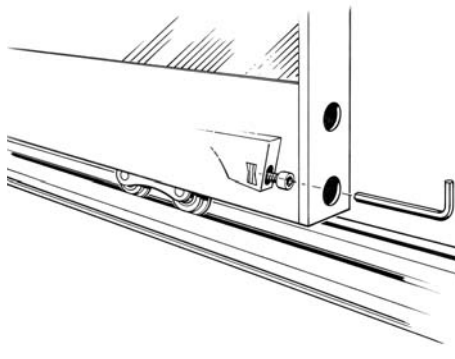
Tilt the door as shown and insert the top guides into the rear channel. Lift the bottom rollers (see illustration) into the rear groove of the bottom track. Take care not to scratch the bottom track. Repeat with the second/next door using front channel and groove. For multi door systems alternate doors on tracks. Two people would be beneficial to lift doors.



## ADJUSTING THE DOORS



For vertical adjustment of each door use a allen key on the bottom rollers (see diagram).



Pushing back the boundaries of space

Spaceslide Showrooms

Northgate, **Aldridge**, Walsall, West Midlands WS9 8TH

T: 01922 743211 - F: 01922 743513 - E: sales@spaceslide.co.uk

Drew House, Ebbens Road, Apsley, **Hemel Hempstead**, Hertfordshire HP3 9QS

Retail: 01442 239900 - Trade: 01442 269963 / 252299 - F: 01442 244121 E: sales@spaceslide.co.uk

[www.spaceslide.co.uk](http://www.spaceslide.co.uk)